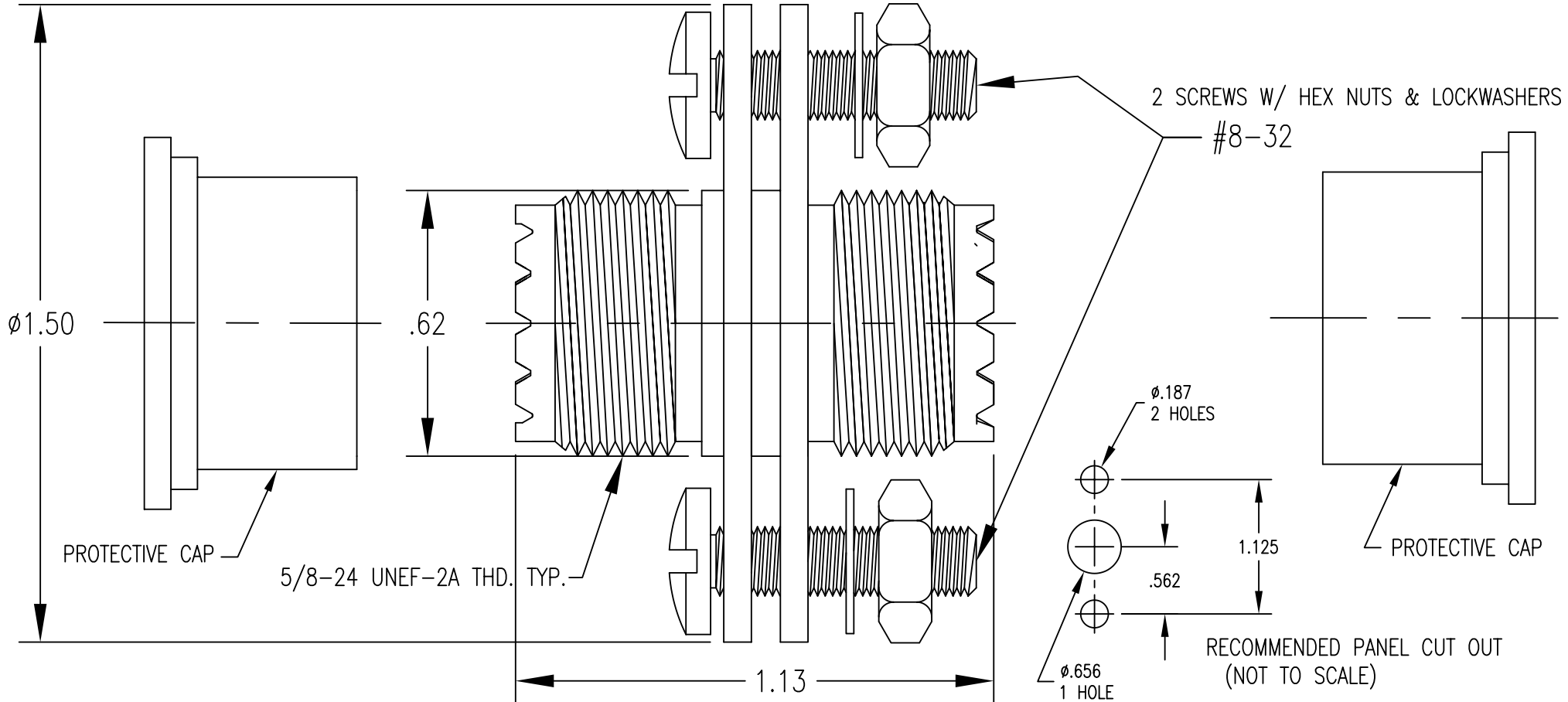


- 1.0 PERFORMANCE
 1.1 FREQUENCY RANGE: DC-600 MHz
 1.2 VSWR ~ 1.0 + 0.85 F (GHz)
 1.3 VOLTAGE RATING: 500V RMS (sea level)
 1.4 NOMINAL IMPEDANCE: NON-CONSTANT
 1.5 DWV: 1500 V RMS @ 60 Hz (sea level)
 1.6 TEMPERATURE RANGE: -55°C TO +165°C

- 2.0 MATERIALS
 2.1 DIELECTRIC: TEFLON, ASTM-D-1710
 2.2 CENTER CONTACT: PHOSPHOR BRONZE PER ASTM-B-139, ALLOY B2
 2.3 LOCKING RING: PHOSPHOR BRONZE PER ASTM-B-139, ALLOY 510
 2.4 OTHER METAL PARTS: BRASS PER ASTM-B-16 OR ASTM-B-36
 2.5 SOLDER IS SnPb
 3.0. FINISHES: SEE TABLE

DWG NO.	OL-0617-01-1	REV.	C
PLATING VARIATIONS			
PART NUMBER	BODY	CONTACT	
0617-01	SILVER	SILVER	



DO NOT SCALE DRAWING


C	SPECIFY SnPb SOLDER -- NON-RoHS	MIX	8/11/11	FSH	FSH
B	ADD VSWR & FREQ WAS 300 MHz	MIX	8/3/06	FSH	FSH
A	ORIGINAL	NEW	4/29/05	<input checked="" type="checkbox"/>	<input checked="" type="checkbox"/>
Rev.	Revisions	Disp.	Date	Dwn.	Appd.

THIS DRAWING CONTAINS CONFIDENTIAL INFORMATION PROPRIETARY TO SAN-TRON INC. IT MUST NOT BE REPRODUCED OR DISCLOSED TO OTHERS OR USED IN ANY OTHER WAY, IN WHOLE OR PART EXCEPT AS AUTHORIZED IN WRITING BY SAN-TRON INCORPORATED.

UNLESS OTHERWISE SPECIFIED:
 ALL DIMENSIONS ARE IN INCHES.
 ALL DIMENSIONS ARE AFTER PLATING.
 .XXX = ±.005 ALL MACHINED SURFACES $\sqrt{63}$ MAX.
 .XX = ±.01 ANG. ±1/2' FRACTIONAL = ±1/64
 @.004 MAX. TIR. ⊥ AXIS .001

THIRD ANGLE PROJECTION

DWN	RF	4/29/05
CHKD	SJS	5/2/05
APPR	FSH	X



SAN-TRON, INC.
 4 NEWBURYPORT TPK, IPSWICH MA USA 01938
 TEL: 978-356-1585 FAX: 978-356-1573
 WWW.santron.com E MAIL: santron@santron.com

TITLE	
593 LIGHTNING ARRESTOR	
MATERIAL:	FINISH:
SEE NOTES	SEE NOTES
CAGE CODE: 50896	DWG NO. OL-0617-01-1
SCALE X:X	REV. C