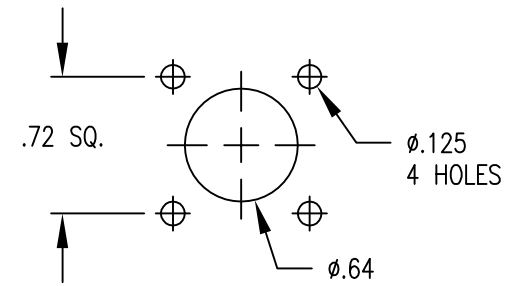
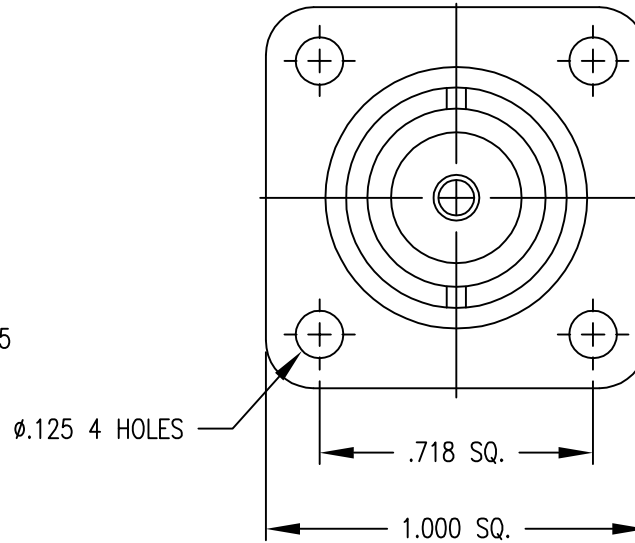
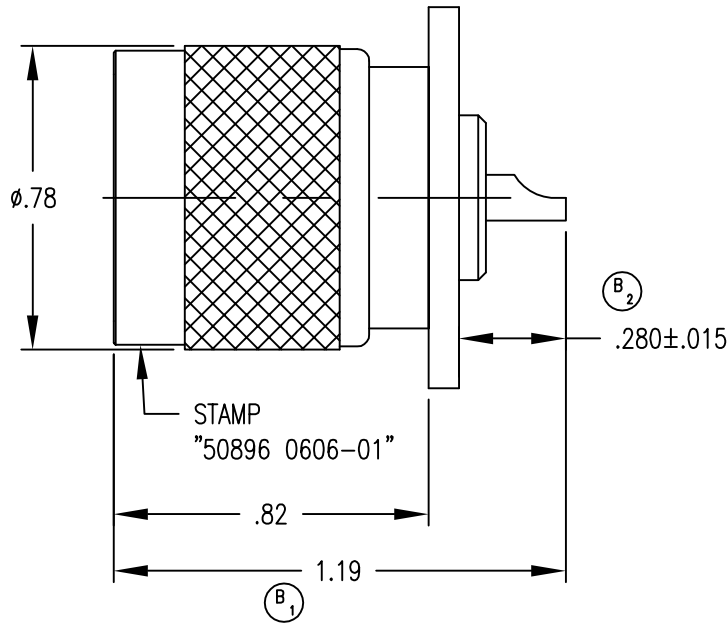


- 1.0 PERFORMANCE
- 1.1 FREQUENCY RANGE: DC-300 MHz
- 1.2 VOLTAGE RANGE: 500V RMS (sea level)
- 1.3 NOMINAL IMPEDANCE: NON-CONSTANT
- 1.4 DWV: 1500V VRMS @ 60Hz (sea level)
- 1.5 TEMPERATURE RANGE: -65°C TO +165°C
- 2.0 MATERIALS

- 2.1 DIELECTRIC: TEFLON, ASTM-D-1710
- 2.2 CENTER CONTACT: BRASS, ASTM-B-16
- 2.3 LOCKING RING: PHOSPHOR BRONZE, ASTM-B-159, ALLOY 510
- 2.4 ALL OTHER METAL PARTS: BRASS, ASTM-B-16
- 3.0 FINISHES
- 3.1 CENTER CONTACT: SILVER PLATED
- 3.2 ALL OTHER METAL PARTS: NICKEL PLATED

DWG NO. OL-0606-01-1 REV. B



RECOMMENDED PANEL CUTOUT (NOT TO SCALE)

B <sub>2</sub>	ADDED: .280±.015	8/1/02	JMB	
B <sub>1</sub>	WAS: 1.22 REF.	8/1/02	JMB	
A	ORIGINAL	5/2/02		
Rev.	Revisions	Date	Dwn.	Appd.
	RECOM. STOCK SIZE	FT/M PCS	QTY REQD	

PROPRIETARY  
THIS DRAWING CONTAINS CONFIDENTIAL INFORMATION PROPRIETARY TO SAN\*TRON INC. IT MUST NOT BE REPRODUCED OR DISCLOSED TO OTHERS OR USED IN ANY OTHER WAY, IN WHOLE OR PART EXCEPT AS AUTHORIZED IN WRITING BY SAN\*TRON INCORPORATED.

REMOVE ALL BURRS AND SHARP EDGES .005 MAX.  
UNLESS OTHERWISE STATED ALL DIMENSIONS ARE IN INCHES AND APPLY AFTER PLATING

UNSPECIFIED TOL.	DWN	JMB	5/1/02
.XX ± .020	CHKD	SJS	5/2/02
.XXX ± .010	APPR	JO	5/2/02
FRAC. ± 1/64			

CONCENTRICITY .004 TIR  
ALL MACHINED SURFACES ✓ 63/

**SAN • TRON, INC.**  
4 NEWBURYPORT TPK, IPSWICH, MA 01938

**San-tron**

TITLE UHF RECEPTACLE, MALE, PANEL MOUNT

MATERIAL: SEE NOTE 2.0 FINISH: SEE NOTE 3.0

FSCM NO. 50896 DWG NO. OL-0606-01-1 REV. B

SCALE 2:1