

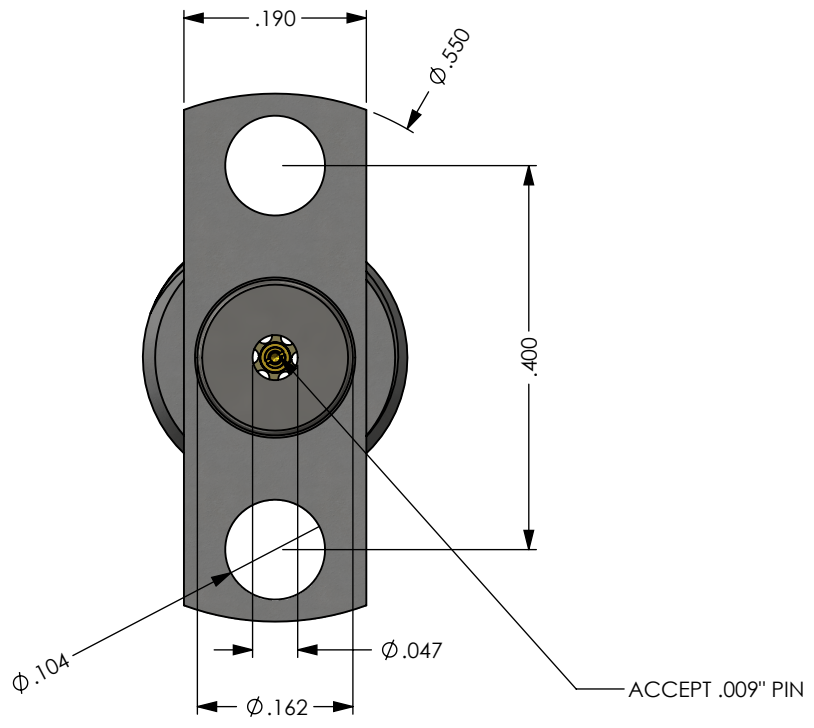
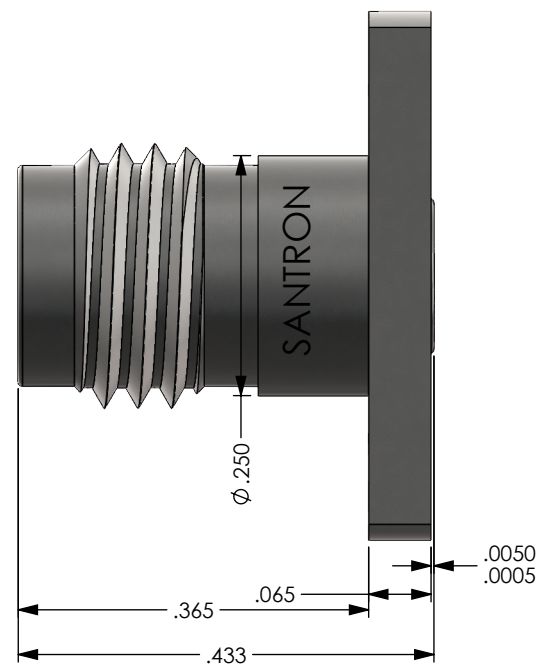
DWG NO.		REV.	
OL-5306-04-M9		A	
PART NUMBER	BODY	CONTACT	
5306-04-M9-PJ	PASS	Au/Ni	

PLATING PER SAN-TRON SPEC. 7.3.1-8

1.0 PERFORMANCE  
 1.1 FREQUENCY RANGE: DC-67GHz  
 1.2 NOMINAL IMPEDANCE: 50 OHMS  
 1.3 DWV: 250Vrms  
 1.4 TEMPERATURE RANGE: -55/+165°C

2.0 MATERIALS  
 2.1 BODY: SS 303, ASTM-A-582  
 2.2 CONTACT: BeCu, ASTM-B-196  
 2.3 DIELECTRIC: ULTEM 1000

3.0 MECHANICAL  
 3.1 INTERFACES:  
 3.2 CONTACT RETENTION: 6-LBS AXIAL  
 3.3 DURABILITY: 500 CYCLES



ACCEPT .009" PIN

REVISIONS						
REV.	DESCRIPTION	DISP	DATE	ECN	DRAWN	APPROVED
A	RELEASE	NEW	10/13/22	00447	JL	JL

**Material:**  
SEE NOTES

**Finish:**  
SEE TABLE

UNLESS OTHERWISE SPECIFIED:  
 ALL DIMENSIONS ARE IN INCHES.  
 ALL DIMENSIONS ARE AFTER PLATING.

XXX = ±.005 ALL MACHINED SURFACES <sup>63</sup> MAX.  
 .XX = ±.01 ANG. ±1/2" FRACTIONAL = ± 1/64

Ⓢ .004 MAX TIR.    ⊥ AXIS .001

**Projection Method:**  
THIRD ANGLE

REMOVE ALL BURRS  
AND SHARP EDGES  
.005 MAX

This drawing and any information or descriptive material set out on it are the confidential and copyright property of SAN-TRON, INC. © and MUST NOT BE DISCLOSED, COPIED, LOANED in whole or part or used for any purpose without the written permission of SAN-TRON, INC.

**Company Confidential**

Legal Owner:  
**SAN-TRON, INC.**  
 4 TURNPIKE ROAD, IPSWICH MA USA 01938  
 TEL: 978-356-1585 FAX: 978-356-1573  
 WWW.santron.com EMAIL: santron@santron.com

REF:    CAGE CODE: **50896**    Sheet: 1 of 1

**Description:**  
1.85mm JACK .190" 2H FLANGE FR.009

Designed by: JL	Drawn Date: 10/13/2022
Checked by: JL	Checked Date: 10/13/2022
Approved by: JL	Approved Date: 10/13/2022