

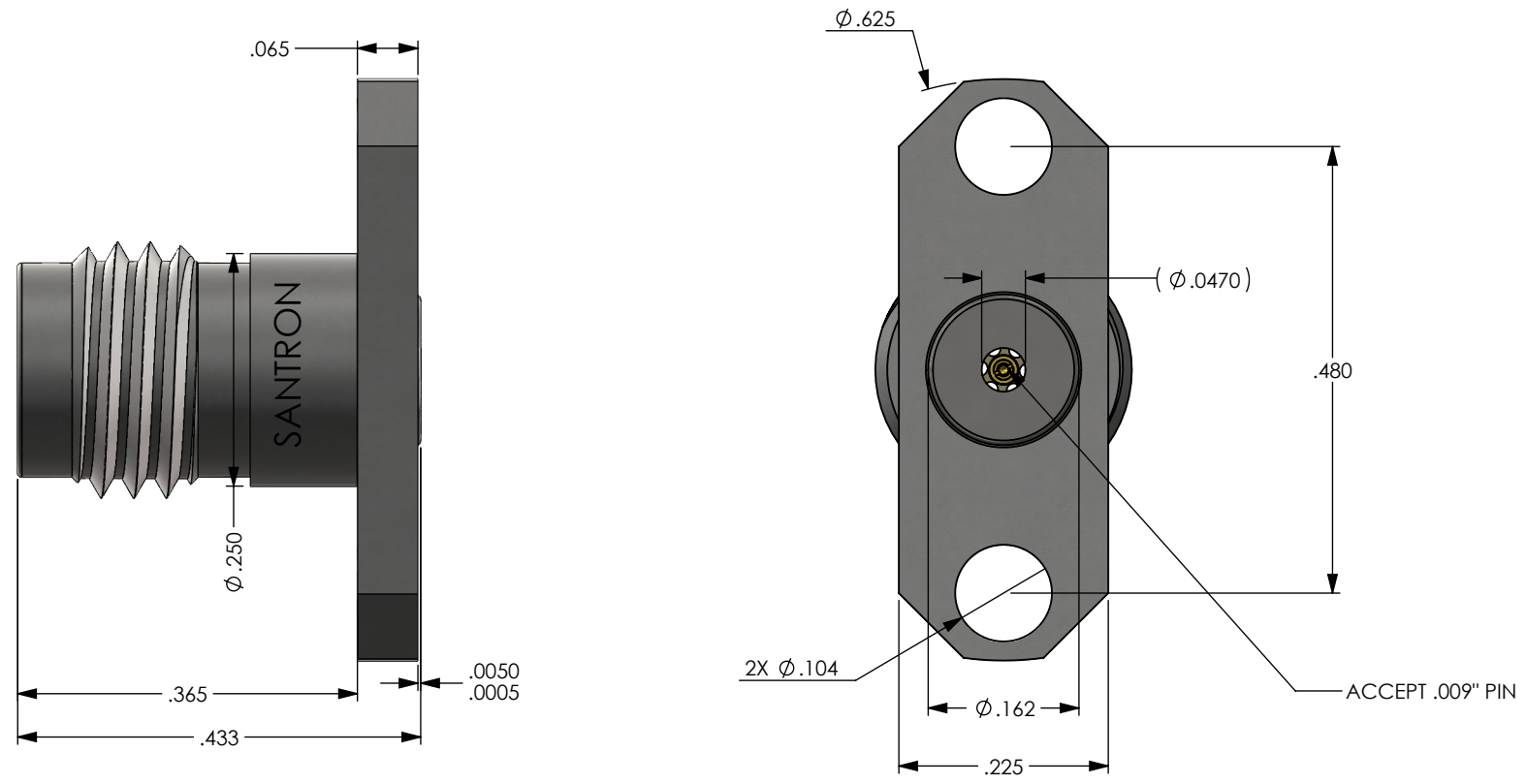
DWG NO.		REV.	
OL-5306-03-M9		A	
PART NUMBER	BODY	CONTACT	
5306-03-M9-PJ	PASS	Au/Ni	

PLATING PER SAN-TRON SPEC. 7.3.1-8

1.0 PERFORMANCE
 1.1 FREQUENCY RANGE: DC-67GHz
 1.2 NOMINAL IMPEDANCE: 50 OHMS
 1.3 DWV: 250Vrms
 1.4 TEMPERATURE RANGE: -55/+165°C

2.0 MATERIALS
 2.1 BODY: SS 303, ASTM-A-582
 2.2 CONTACT: BeCu, ASTM-B-196
 2.3 DIELECTRIC: ULTEM 1000

3.0 MECHANICAL
 3.1 INTERFACES:
 3.2 CONTACT RETENTION: 6-LBS AXIAL
 3.3 DURABILITY: 500 CYCLES



REVISIONS						
REV.	DESCRIPTION	DISP	DATE	ECN	DRAWN	APPROVED
A	RELEASE	NEW	04/03/23	00447	JL	JL

Material:
SEE NOTES

Finish:
SEE TABLE

UNLESS OTHERWISE SPECIFIED:
 ALL DIMENSIONS ARE IN INCHES.
 ALL DIMENSIONS ARE AFTER PLATING.

XXX = ±.005 ALL MACHINED SURFACES ⁶³ MAX.
 .XX = ±.01 ANG. ±1/2" FRACTIONAL = ± 1/64

Ⓢ .004 MAX TIR. Ⓢ AXIS .001

Projection Method:
THIRD ANGLE

REMOVE ALL BURRS
 AND SHARP EDGES
 .005 MAX

This drawing and any information or descriptive material set out on it are the confidential and copyright property of SAN-TRON, INC. © and MUST NOT BE DISCLOSED, COPIED, LOANED in whole or part or used for any purpose without the written permission of SAN-TRON, INC.

Company Confidential

Legal Owner:
SAN-TRON, INC.
 4 TURNPIKE ROAD, IPSWICH MA USA 01938
 TEL: 978-356-1585 FAX: 978-356-1573
 WWW.santron.com EMAIL: santron@santron.com

REF: CAGE CODE: **50896** Sheet: 1 of 1

Description:
 1.85mm JACK .225" 2H
 FLANGE FR.009

Designed by: JL	Drawn Date: 10/13/2022
Checked by: JL	Checked Date: 10/13/2022
Approved by: JL	Approved Date: 10/13/2022