

6

5

4

3

2

1

F

1.0 PERFORMANCE  
 1.1 FREQUENCY RANGE: DC-67GHz  
 1.2 NOMINAL IMPEDANCE: 50 OHMS  
 1.3 DWV: 250Vrms  
 1.4 TEMPERATURE RANGE: -55/+165°C

2.0 MATERIALS  
 2.1 BODY: SS 303, ASTM-A-582  
 2.2 CONTACT: BeCu, ASTM-B-196  
 2.3 DIELECTRIC: ULTEM 1000

3.0 MECHANICAL  
 3.1 INTERFACES:  
 3.2 CONTACT RETENTION: 6-LBS AXIAL  
 3.3 DURABILITY: 500 CYCLES

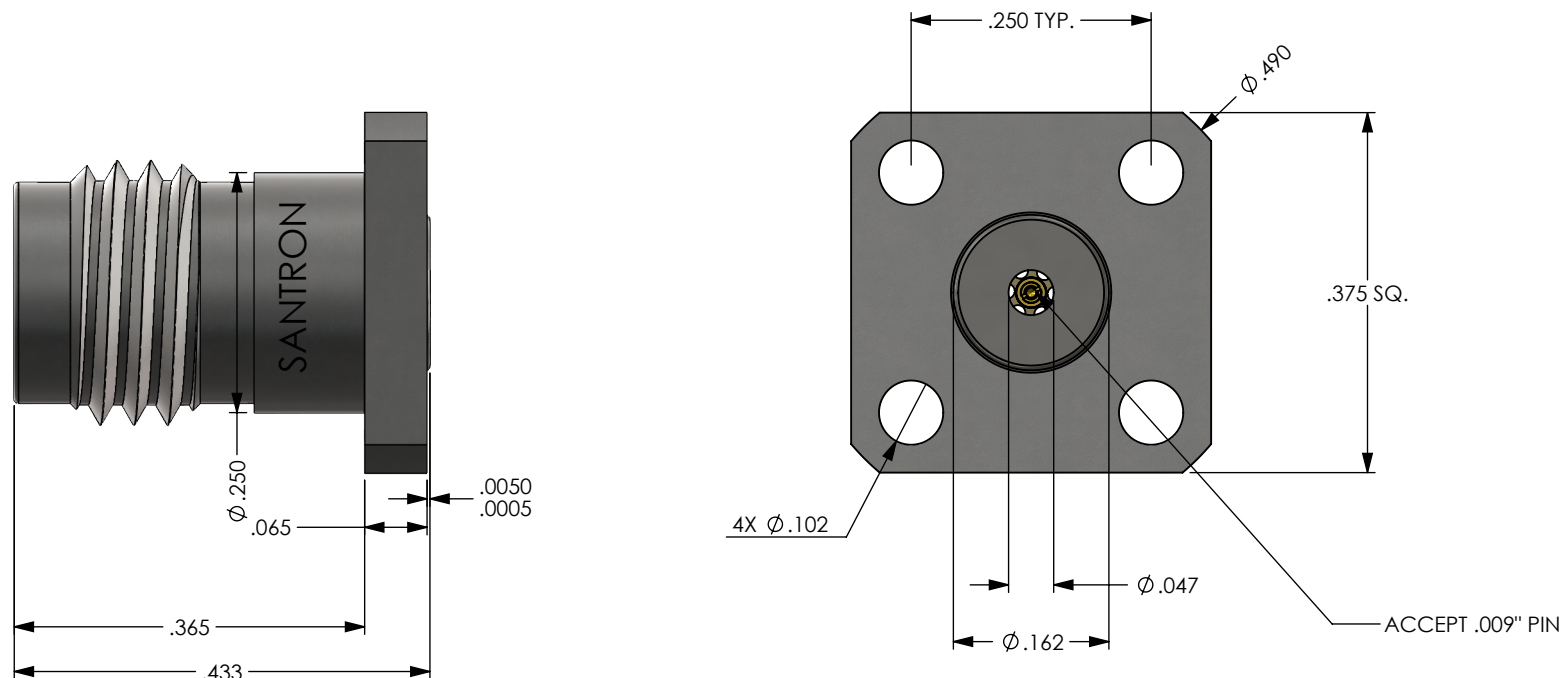
DWG NO.		REV.	
OL-5306-02-M9		A	
PART NUMBER	BODY	CONTACT	
5306-02-M9-PJ	PASS	Au/Ni	

PLATING PER SAN-TRON SPEC. 7.3.1-8

E

D

C



B

REVISIONS

REV.	DESCRIPTION	DISP	DATE	ECN	DRAWN	APPROVED
A	RELEASE	NEW	04/03/23	00447	JL	JL

Material:  
**SEE NOTES**

Finish:  
**SEE TABLE**

UNLESS OTHERWISE SPECIFIED:  
 ALL DIMENSIONS ARE IN INCHES.  
 ALL DIMENSIONS ARE AFTER PLATING.

XXX = ±.005 ALL MACHINED SURFACES  $\sqrt{63}$  MAX.  
 .XX = ±.01 ANG. ±1/2" FRACTIONAL = ± 1/64

Ⓞ .004 MAX TIR.    ⊥ AXIS .001

Projection Method:  
**THIRD ANGLE**



REMOVE ALL BURRS  
 AND SHARP EDGES  
 .005 MAX

This drawing and any information or  
 descriptive material set out on it  
 are the confidential and copyright property  
 of SAN-TRON, INC. © and MUST NOT BE  
 DISCLOSED, COPIED, LOANED in whole or part  
 or used for any purpose without the  
 written permission of SAN-TRON, INC.

**Company Confidential**

Legal Owner:

**SAN-TRON, INC.**

4 TURNPIKE ROAD, IPSWICH MA USA 01938

TEL: 978-356-1585 FAX: 978-356-1573

WWW.santron.com EMAIL: santron@santron.com

Description:  
**1.85mm JACK .375" SQ.  
 FLANGE FR.009**

Designed by:

JL

Drawn Date:

10/13/2022

Checked by:

JL

Checked Date:

10/13/2022

Approved by:

JL

Approved Date:

10/13/2022

REF:

CAGE CODE:  
**50896**

Sheet:  
 1 of 1

6

5

4

3

2

1

A

A

C

C

D

D

E

E

F

F