

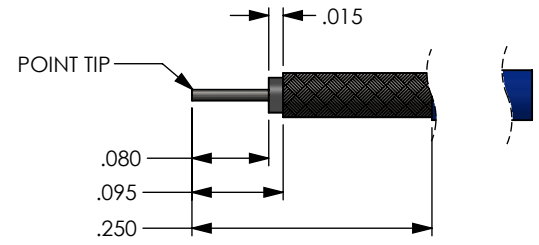
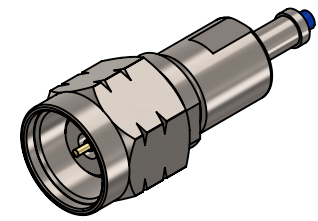
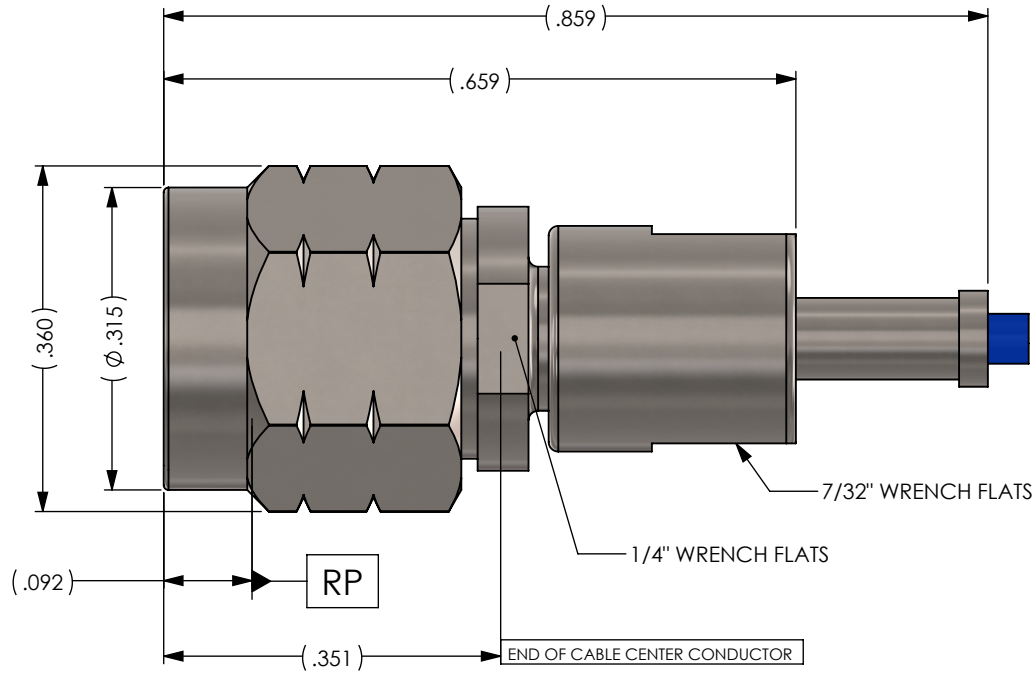
1.0 PERFORMANCE  
 1.1 FREQUENCY RANGE: DC-67 GHz  
 1.2 NOMINAL IMPEDANCE: 50 OHMS  
 1.3 DWV: 325 Vrms  
 1.4 TEMPERATURE RANGE: -65/+165°C

2.0 MATERIALS  
 2.1 BODY: SS 303, ASTM-A-582  
 2.2 CONTACT: BeCu, ASTM-B-196  
 2.3 DIELECTRIC: ULTEM 1000

3.0 MECHANICAL  
 3.1 INTERFACES: IEEE 287-2007  
 3.2 DURABILITY: 500 CYCLES

DWG NO.		REV.	
OL-5301-02-1		A	
PART NUMBER	BODY	CONTACT	
5301-02-PJ	PASSIVATED	Au/Ni	

PLATING PER SAN-TRON SPEC. 7.3.1-8



ASSEMBLY NOTES:

1. STRIP CABLE (INSULATOR AND SHIELD ONLY)
2. SOLDER CABLE TO SOLDER BUSHING
3. TRIM INSULATOR FLUSH TO SOLDER BUSHING BEING CAREFUL NOT TO SCORE CENTER CONDUCTOR
4. DEBURR AND POINT CENTER CONDUCTOR ON COAX
5. MATE CABLE WITH CONTACT IN BUSHING
6. SLIDE BOTH BUSHINGS INTO THE BODY
7. APPLY LOCTITE 277 ONTO EXTERNAL THREAD
8. SCREW ON CLAMP NUT WITH 8-10 in.lbf

REVISIONS						
REV.	DESCRIPTION	DISP	DATE	ECN	DRAWN	APPROVED
A	RELEASE	NEW	3/2/23	00434	JL	JL

**Material:**  
SEE NOTES

**Finish:**  
SEE TABLE

UNLESS OTHERWISE SPECIFIED:  
 ALL DIMENSIONS ARE IN INCHES.  
 ALL DIMENSIONS ARE AFTER PLATING.

XXX = ±.005 ALL MACHINED SURFACES  $\sqrt{63}$  MAX.  
 .XX = ±.01 ANG. ±1/2" FRACTIONAL = ± 1/64

Ⓢ .004 MAX TIR.    Ⓢ AXIS .001

**Projection Method:**  
THIRD ANGLE

REMOVE ALL BURRS  
 AND SHARP EDGES  
 .005 MAX

This drawing and any information or descriptive material set out on it are the confidential and copyright property of SAN-TRON, INC. © and MUST NOT BE DISCLOSED, COPIED, LOANED in whole or part or used for any purpose without the written permission of SAN-TRON, INC.

**Company Confidential**

Legal Owner:  
**SAN-TRON, INC.**  
 4 TURNPIKE ROAD, IPSWICH MA USA 01938  
 TEL: 978-356-1585 FAX: 978-356-1573  
 WWW.santron.com EMAIL: santron@santron.com

<b>Description:</b> 1.85mm PLUG, CLAMP. FOR 047 COAX	
Designed by: JL	Drawn Date: 3/2/2023
Checked by: JL	Checked Date: 3/2/2023
Approved by: JL	Approved Date: 3/2/2023

REF:	CAGE CODE: 50896	Sheet: 1 of 1
------	---------------------	------------------