

1.0 PERFORMANCE

- 1.1 FREQUENCY RANGE: DC-11GHz
- 1.2 VOLTAGE RATING: 500V RMS (sea level)
- 1.3 NOMINAL IMPEDANCE: 50 OHMS
- 1.4 DWV: 1500 V RMS @ 60 Hz (sea level)
- 1.5 TEMPERATURE RANGE: -65°C TO +165°C

2.0 MATERIALS

- 2.1 DIELECTRIC: TEFLON, ASTM-D-1710
- 2.2 CENTER CONTACT: BERYLLIUM COPPER ASTM-B-196

2.3 ALL OTHER METAL PARTS: BRASS PER ASTM-B-16

3.0 FINISHES

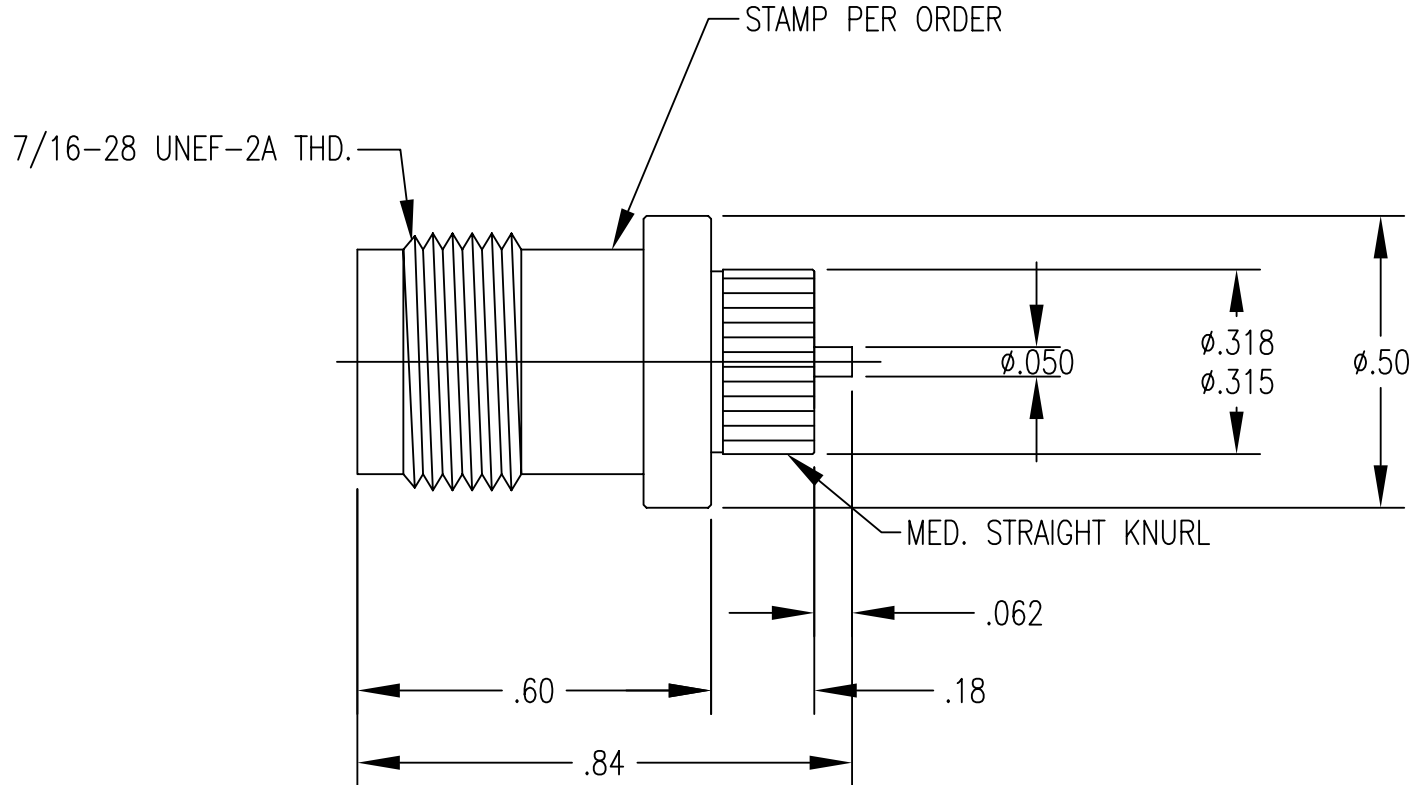
- 3.1 CENTER CONTACT: SEE TABLE
- 3.2 ALL OTHER METAL PARTS: SEE TABLE
- 4.0 MECHANICAL
- 4.1 INTERFACE: IN ACCORDANCE WITH MIL-STD-348
- 4.2 RECOMMENDED HOLE FOR PRESS FIT $\phi.312 \pm .001$

DWG NO. OL-0507-07-1 REV. A

PLATING VARIATIONS

PART NUMBER	BODY	CONTACT
0507-07	SILVER	GOLD
0507-07-EG	ELECTROLESS Ni	GOLD

DO NOT SCALE DRAWING



Rev.	Revisions	Disp.	Date	Dwn.	Appd.
A	ORIGINAL	NEW	01/16/04		

REMOVE ALL BURRS AND SHARP EDGES .005 MAX.

INTERPRET PER ASME Y14.5M-1994

THIS DRAWING CONTAINS CONFIDENTIAL INFORMATION PROPRIETARY TO SAN-TRON INC. IT MUST NOT BE REPRODUCED OR DISCLOSED TO OTHERS OR USED IN ANY OTHER WAY, IN WHOLE OR PART EXCEPT AS AUTHORIZED IN WRITING BY SAN-TRON INCORPORATED.

UNLESS OTHERWISE SPECIFIED:
 ALL DIMENSIONS ARE IN INCHES.
 ALL DIMENSIONS ARE AFTER PLATING.
 .XXX = ±.005 ALL MACHINED SURFACES $\sqrt{63}$ MAX.
 .XX = ±.01 ANG. ±1/2° FRACTIONAL = ±1/64
 ◎ .004 MAX. TIR. ⊥ AXIS .001

THIRD ANGLE PROJECTION

DWN	DT	01/16/04
CHKD		XX/XX/XX
APPR	FSH	01/17/04

SAN-TRON, INC.
 4 NEWBURYPORT TPK. IPSWICH MA USA 01938
 TEL: 978 - 356 -1585 FAX: 978 - 356 -1573
 WWW.santron.com E MAIL: santron@santron.com

TNC FEMALE RECEPTACLE PRESS FIT MOUNT

MATERIAL: SEE NOTE 2.0 FINISH: SEE NOTE 3.0

CAGE CODE: 50896 DWG NO. OL-0507-07-1 REV. A

SCALE X:X