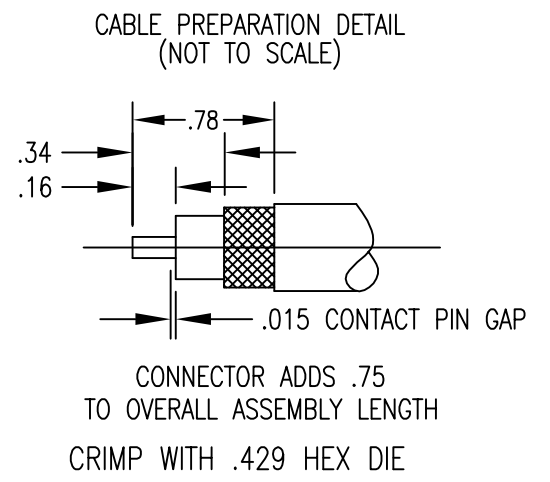
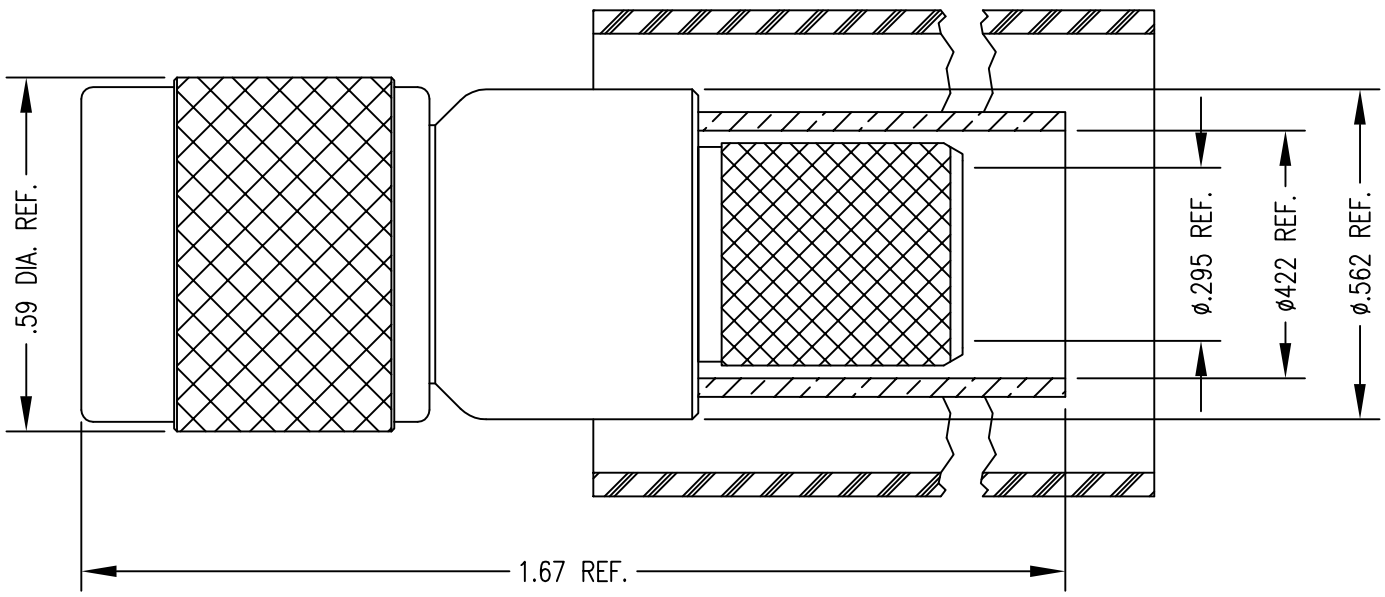


- 1.0 PERFORMANCE
- 1.1 FREQUENCY RANGE: DC-6 GHz
- 1.2 VOLTAGE RATING: 500V RMS (sea level)
- 1.3 NOMINAL IMPEDANCE: 50 OHMS
- 1.4 DWV: 1500 V RMS @ 60 Hz (sea level)
- 1.5 TEMPERATURE RANGE: -65°C TO +165°C
- 2.0 MATERIALS
- 2.1 DIELECTRIC: PTFE, ASTM-D-1710
- 2.2 CRIMP FERRULE: DHP SOFT COPPER, CDA 122, SOFT TEMPER

- 2.4 LOCKING RING: PHOSPHOR BRONZE, ASTM-B-159, ALLOY 510
- 2.5 ALL OTHER METAL PARTS: BRASS PER ASTM-B-16
- 2.6 GASKET: SILICON RUBBER, ZZ-R-765, GR. 50, RED
- 2.7 SHRINK SLEEVE: THICK WALL POLYOLEFIN, MIL-I-23053/4, CLASS 3.
- 3.0 FINISHES
- 3.1 CENTER CONTACT: SILVER PLATED
- 3.2 ALL OTHER METAL PARTS: NICKEL PLATED
- 4.0 MECHANICAL
- 4.1 INTERFACE IN ACCORDANCE WITH MIL-STD-348



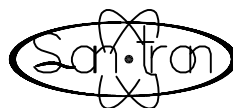
C	UPDATE TITLE	6/16/15	RJG	fsh
B	CRIMP BUSHING CHANGED FROM 0501-14-39 TO 0503-14-39, STRIP DIMENSIONS	6/27/08	JTH	FSH
A	ORIGINAL	4/25/01		
Rev.	Revisions	Date	Dwn.	Appd.
	RECOM. STOCK SIZE	FT/M PCS	QTY REQD	

PROPRIETARY
THIS DRAWING CONTAINS CONFIDENTIAL INFORMATION PROPRIETARY TO SAN*TRON INC. IT MUST NOT BE REPRODUCED OR DISCLOSED TO OTHERS OR USED IN ANY OTHER WAY, IN WHOLE OR PART EXCEPT AS AUTHORIZED IN WRITING BY SAN*TRON INCORPORATED.

REMOVE ALL BURRS AND SHARP EDGES .005 MAX.
UNLESS OTHERWISE STATED ALL DIMENSIONS ARE IN INCHES AND APPLY AFTER PLATING

UNSPECIFIED TOL.	DWN	JMB	4/20/01
DEC. ± .005	CHKD	SJS	4/23/01
FRAC. ± 1/64	APPR		
ANG. ± 1/2°			

CONCENTRICITY .004 TIR ⁶³/₁₀₀
ALL MACHINED SURFACES ✓



SAN • TRON, INC.
4 NEWBURYPORT TPK, IPSWICH, MA 01938

TITLE TNC STRAIGHT PLUG FOR TCOM-400 CABLE

MATERIAL: SEE NOTE 2.0	FINISH: SEE NOTE 3.0
FSCM NO. 50896	DWG NO. OL-0501-14-1
SCALE 3:1	REV. C