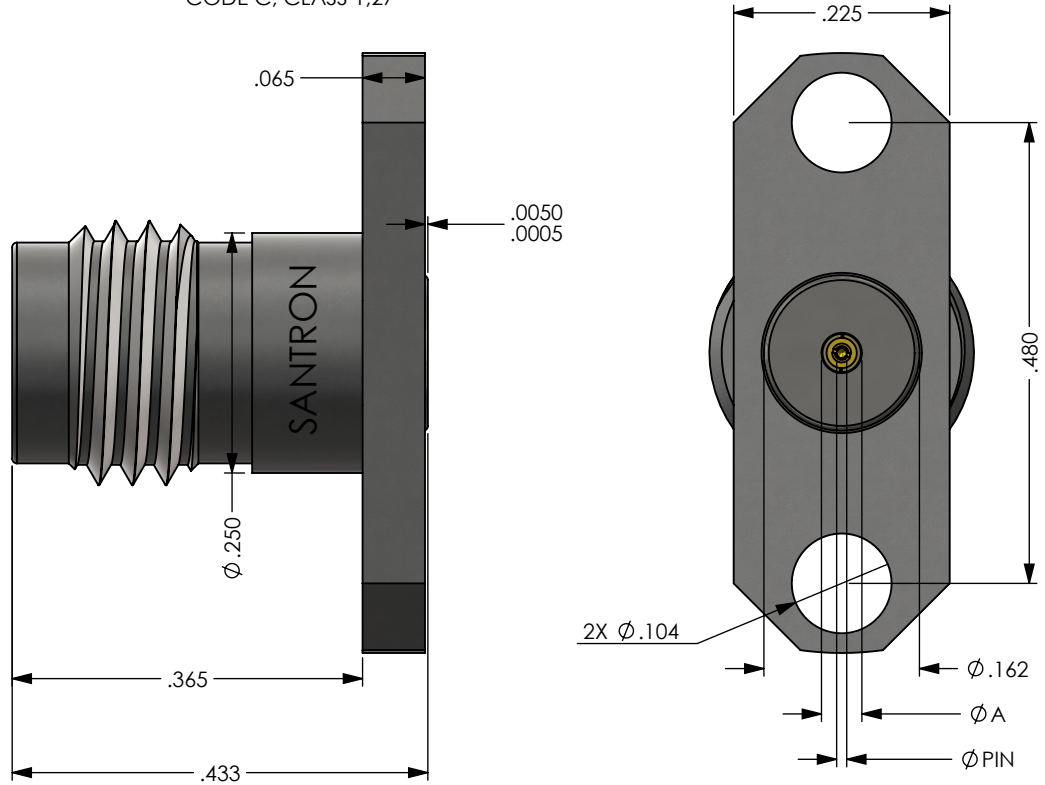


DWG NO.		REV.	
OL-4206-03-1		A	
PART NUMBER	∅ A	∅ PIN	
4206-03-M9-PJ	.0421	.009	
4206-03-M12-PJ	.0483	.012	

PLATING PER SAN-TRON SPEC. 7.3.1-8

- |   |  |   |
|---|--|---|
| <p><b>1.0 PERFORMANCE</b><br/> 1.1 FREQUENCY RANGE: DC-50GHz<br/> 1.2 NOMINAL IMPEDANCE: 50 OHMS<br/> 1.3 DWV: 325Vrms<br/> 1.4 TEMPERATURE RANGE: -55/+165°C</p> | <p><b>2.0 MATERIALS</b><br/> 2.1 BODY: SS 303, ASTM-A-582<br/> 2.2 CONTACT: BeCu, ASTM-B-196<br/> 2.3 DIELECTRIC: ULTEM 1000<br/> <b>3.0 FINISHES</b><br/> 3.1 BODY &amp; BUSHING: PASSIVATE PER ASTM-A-967<br/> 3.2 CONTACT: GOLD PER ASTM-B488, TYPE I, CODE C, CLASS 1,27</p> | <p><b>4.0 MECHANICAL</b><br/> 4.1 INTERFACES: MIL-STD-348<br/> 4.2 CONTACT RETENTION: N/A<br/> 4.3 DURABILITY: 500 CYCLES</p> |
|---|--|---|



REVISIONS						
REV.	DESCRIPTION	DISP	DATE	ECN	DRAWN	APPROVED
A	RELEASE	NEW	04/03/23	00447	JL	JL

**Material:**  
SEE NOTES

**Finish:**  
SEE TABLE

UNLESS OTHERWISE SPECIFIED:  
ALL DIMENSIONS ARE IN INCHES.  
ALL DIMENSIONS ARE AFTER PLATING.

XXX = ±.005 ALL MACHINED SURFACES <sup>63</sup> MAX.  
XX = ±.01 ANG. ±1/2" FRACTIONAL = ± 1/64

Ⓢ .004 MAX TIR.    Ⓢ AXIS .001

**Projection Method:**  
THIRD ANGLE

REMOVE ALL BURRS AND SHARP EDGES  
.005 MAX

This drawing and any information or descriptive material set out on it are the confidential and copyright property of SAN-TRON, INC. © and MUST NOT BE DISCLOSED, COPIED, LOANED in whole or part or used for any purpose without the written permission of SAN-TRON, INC.

**Company Confidential**

Legal Owner:  
**SAN-TRON, INC.**  
4 TURNPIKE ROAD, IPSWICH MA USA 01938  
TEL: 978-356-1585 FAX: 978-356-1573  
WWW.santron.com EMAIL: santron@santron.com

<b>Description:</b> 2.4mm FIELD REPLACEABLE JACK .225 2H FLANGE	
Designed by: JL	Drawn Date: 10/13/2022
Checked by: JL	Checked Date: 10/13/2022
Approved by: JL	Approved Date: 10/13/2022

REF:	CAGE CODE: <b>50896</b>	Sheet: 1 of 1
------	----------------------------	------------------