

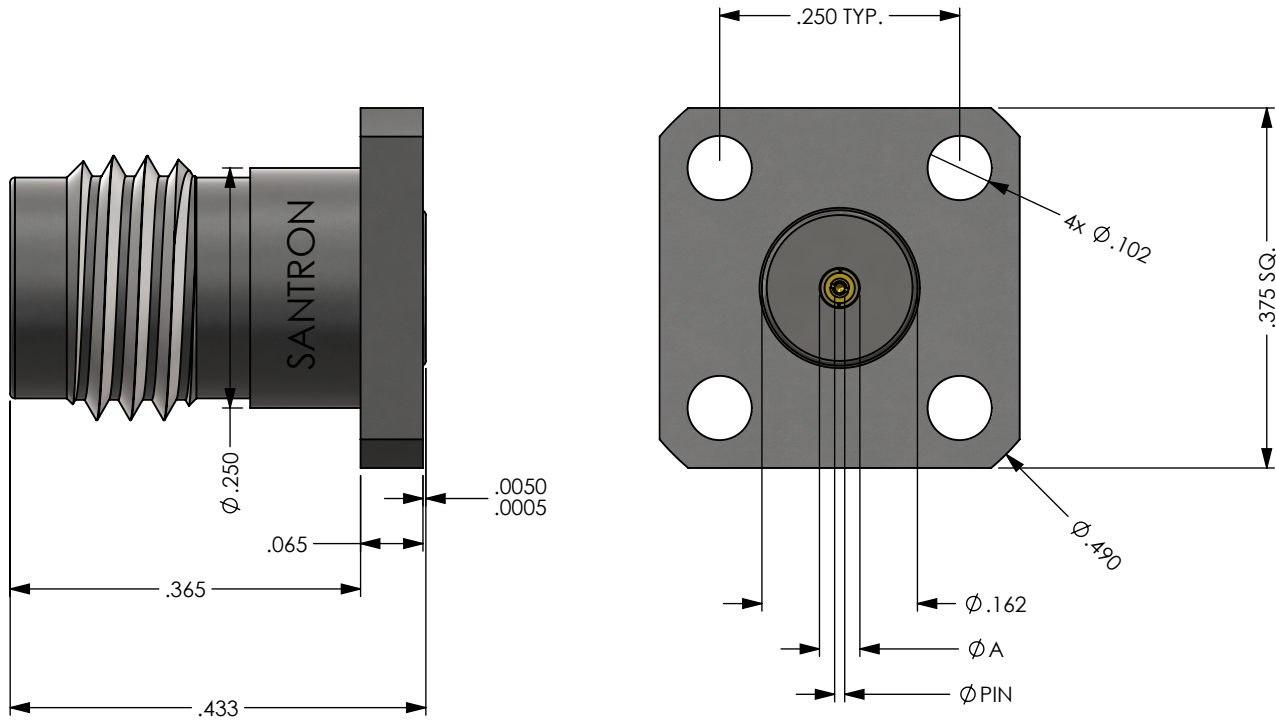
DWG NO.		REV.	
OL-4206-02-1		A	
PART NUMBER	Ø A	Ø PIN	
4206-02-M9-PJ	.0421	.009	
4206-02-M12-PJ	.0483	.012	

PLATING PER SAN-TRON SPEC. 7.3.1-8

1.0 PERFORMANCE
 1.1 FREQUENCY RANGE: DC-50GHz
 1.2 NOMINAL IMPEDANCE: 50 OHMS
 1.3 DWV: 325Vrms
 1.4 TEMPERATURE RANGE: -55/+165°C

2.0 MATERIALS
 2.1 BODY: SS 303, ASTM-A-582
 2.2 CONTACT: BeCu, ASTM-B-196
 2.3 DIELECTRIC: ULTEM 1000
 3.0 FINISHES
 3.1 BODY & BUSHING: PASSIVATE PER ASTM-A-967
 3.2 CONTACT: GOLD PER ASTM-B488, TYPE I, CODE C, CLASS 1,27

4.0 MECHANICAL
 4.1 INTERFACES: MIL-STD-348
 4.2 CONTACT RETENTION: N/A
 4.3 DURABILITY: 500 CYCLES



REVISIONS						
REV.	DESCRIPTION	DISP	DATE	ECN	DRAWN	APPROVED
A	RELEASE	NEW	04/03/23	00447	JL	JL

Material:
SEE NOTES

Finish:
SEE TABLE

UNLESS OTHERWISE SPECIFIED:
 ALL DIMENSIONS ARE IN INCHES.
 ALL DIMENSIONS ARE AFTER PLATING.

XXX = ±.005 ALL MACHINED SURFACES ⁶³ MAX.
 .XX = ±.01 ANG. ±1/2" FRACTIONAL = ± 1/64

Ⓢ .004 MAX TIR. Ⓢ AXIS .001

Projection Method:
THIRD ANGLE

REMOVE ALL BURRS
 AND SHARP EDGES
 .005 MAX

This drawing and any information or descriptive material set out on it are the confidential and copyright property of SAN-TRON, INC. © and MUST NOT BE DISCLOSED, COPIED, LOANED in whole or part or used for any purpose without the written permission of SAN-TRON, INC.

Company Confidential

Legal Owner:
SAN-TRON, INC.
 4 TURNPIKE ROAD, IPSWICH MA USA 01938
 TEL: 978-356-1585 FAX: 978-356-1573
 WWW.santron.com EMAIL: santron@santron.com

REF: CAGE CODE: **50896** Sheet: 1 of 1

Description:
 2.4mm FIELD
 REPLACEABLE JACK
 .375 SQ FLANGE

Designed by: JL Drawn Date: 10/13/2022

Checked by: JL Checked Date: 10/13/2022

Approved by: JL Approved Date: 10/13/2022