

6

5

4

3

2

1

1.0 PERFORMANCE  
 1.1 FREQUENCY RANGE: DC-50GHz  
 1.2 NOMINAL IMPEDANCE: 50 OHMS  
 1.3 DWV: 325Vrms  
 1.4 TEMPERATURE RANGE: -65/+165°C

2.0 MATERIALS  
 2.1 BODY: SS 303, ASTM-A-582  
 2.2 CONTACT: BeCu, ASTM-B-196  
 2.3 DIELECTRIC: ULTEM 1000

3.0 MECHANICAL  
 3.1 INTERFACES: IEEE 287-2007  
 3.2 DURABILITY: 500 CYCLES

DWG NO.

REV.

OL-4201-01-1

B

PART NUMBER

BODY

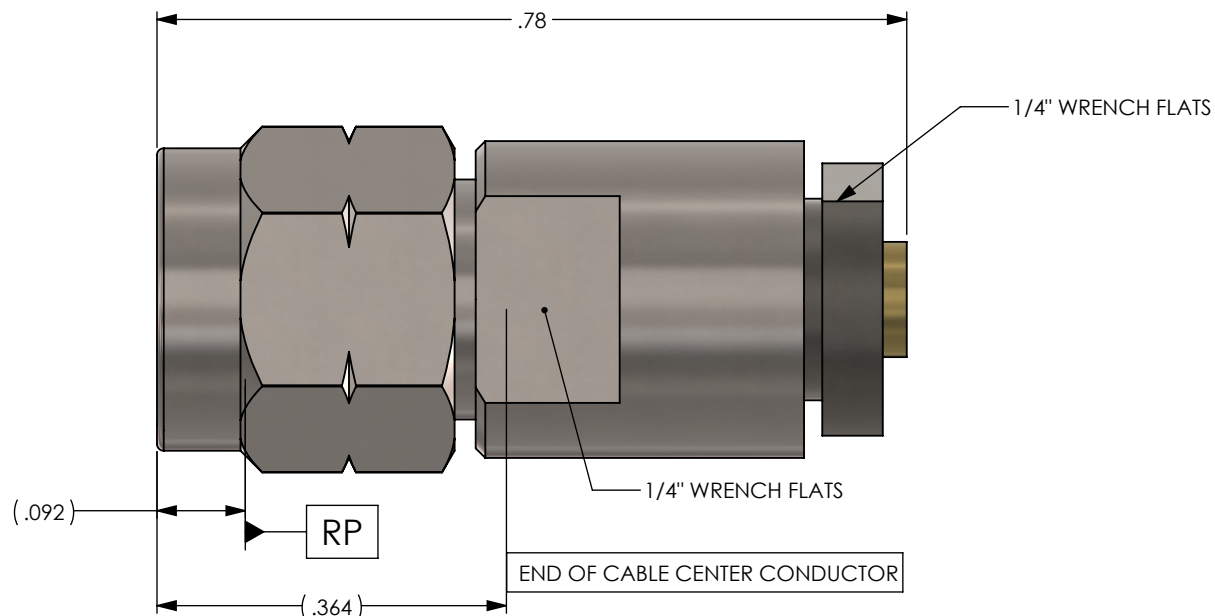
CONTACT

4201-01-PJ

PASS

Au/Ni

PLATING PER SAN-TRON SPEC. 7.3.1-8



Material:  
**SEE NOTES**

Finish:  
**SEE TABLE**

UNLESS OTHERWISE SPECIFIED:  
 ALL DIMENSIONS ARE IN INCHES.  
 ALL DIMENSIONS ARE AFTER PLATING.  
 .XXX = ±.005 ALL MACHINED SURFACES  $\sqrt{63}$  MAX.  
 .XX = ±.01 ANG. ±1/2° FRACTIONAL = ± 1/64  
 Ⓢ .004 MAX TIR. Ⓢ AXIS .001

Projection Method:  
**THIRD ANGLE**



REMOVE ALL BURRS  
 AND SHARP EDGES  
 .005 MAX

This drawing and any information or  
 descriptive material set out on it  
 are the confidential and copyright property  
 of SAN-TRON, INC. © and MUST NOT BE  
 DISCLOSED, COPIED, LOANED in whole or part  
 or used for any purpose without the  
 written permission of SAN-TRON, INC.

**Company Confidential**

Legal Owner:

**SAN-TRON, INC.**

4 TURNPIKE ROAD, IPSWICH MA USA 01938

TEL: 978-356-1585 FAX: 978-356-1573

WWW.santron.com EMAIL: santron@santron.com

Description:  
**2.4mm PLUG, CLAMP, FOR  
 086 COAX**

Designed by:

JL

Drawn Date:

3/3/2023

Checked by:

JL

Checked Date:

3/3/2023

Approved by:

JL

Approved Date:

3/3/2023

REF:

CAGE CODE:

**50896**

Sheet:

1 of 1

REVISIONS

REV.	DESCRIPTION	DISP	DATE	ECN	DRAWN	APPROVED
B	UPDATED CLAMP STYLE	IMP	4/13/23	00451	JL	JL
A	RELEASE	NEW	3/3/23	00434	JL	JL

6

5

4

3

2

1