

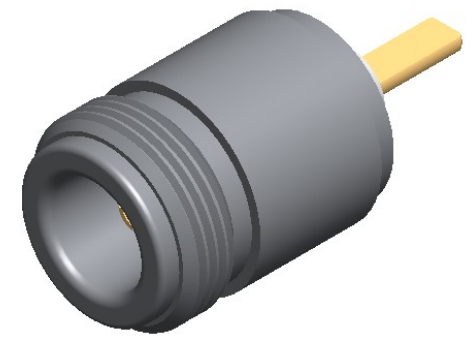
DWG NO.		REV.	
OL-0407-37-1		A	
PART NUMBER	BODY	CONTACT	
0407-37-SJ	SILVER	Au/Ni	

PLATING PER SAN-TRON SPEC. 7.3.1-8

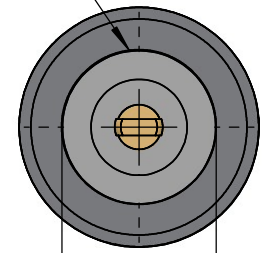
1.0 PERFORMANCE  
 1.1 FREQUENCY RANGE: DC-11GHz  
 1.2 NOMINAL IMPEDANCE: 50 OHMS  
 1.3 DWV: 1000VRMS @ 60 Hz (SEA LEVEL)  
 1.4 TEMPERATURE RANGE: -65/+165°C

2.0 MATERIALS  
 2.1 BODY: BRASS  
 2.2 CONTACT: BeCu  
 2.3 DIELECTRIC: PTFE

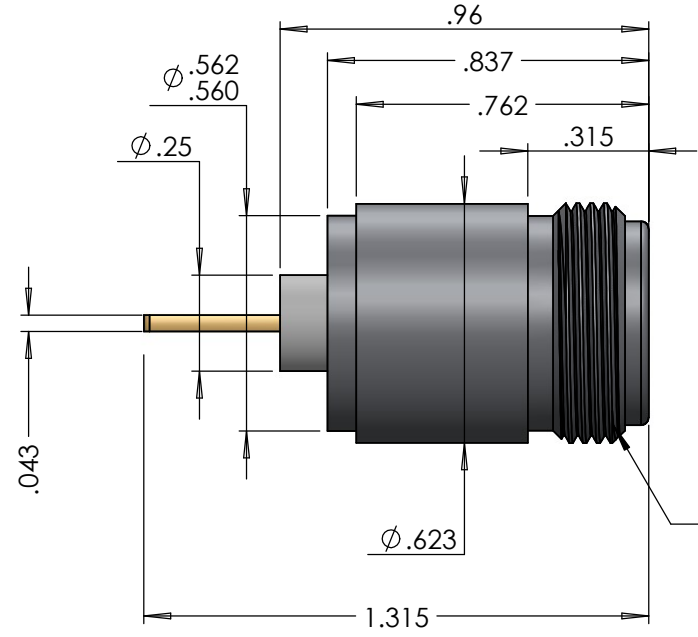
3.0 MECHANICAL  
 3.1 INTERFACES: MIL-STD-348  
 3.2 CONTACT RETENTION: 6 LBS AXIAL  
 3.3 DURABILITY: 500 CYCLES



4 POINT  
SURFACE STAKE



Ø .385



5/8-24 UNEF-2A

REVISIONS				
REV.	DESCRIPTION	DISP	DATE	APPROVED
A	RELEASE	NEW	4/9/19	FSH
3	PRELIMINARY	NEW	3/29/19	
2	CHANGED TAB FROM SLOT	NEW	2/28/19	
1	PRELIMINARY	NEW	2/26/19	

**Material:**  
SEE NOTES

**Finish:**  
SEE TABLE

UNLESS OTHERWISE SPECIFIED:  
ALL DIMENSIONS ARE IN INCHES.  
ALL DIMENSIONS ARE AFTER PLATING.

XXX = ±.005 ALL MACHINED SURFACES <sup>63</sup> MAX.  
 .XX = ±.01 ANG. ±1/2" FRACTIONAL = ± 1/64

⓪ .004 MAX TIR.    ⓧ AXIS .001

**Projection Method:**  
THIRD ANGLE

REMOVE ALL BURRS  
AND SHARP EDGES  
.005 MAX

This drawing and any information or descriptive material set out on it are the confidential and copyright property of SAN-TRON, INC. © and MUST NOT BE DISCLOSED, COPIED, LOANED in whole or part or used for any purpose without the written permission of SAN-TRON, INC.

**Company Confidential**

Legal Owner:  
**SAN-TRON, INC.**  
4 TURNPIKE ROAD, IPSWICH MA USA 01938  
TEL: 978-356-1585 FAX: 978-356-1573  
WWW.santron.com EMAIL: santron@santron.com

REF:    CAGE CODE: **50896**    Sheet: 1 of 1

**Description:**  
N FEMALE  
RECEPTACLE PRESS  
FIT MOUNT

Designed by: JL    Drawn Date: 2/26/2019

Checked by: JS    Checked Date: 4/1/2019

Approved by: FSH    Approved Date: 4/1/2019