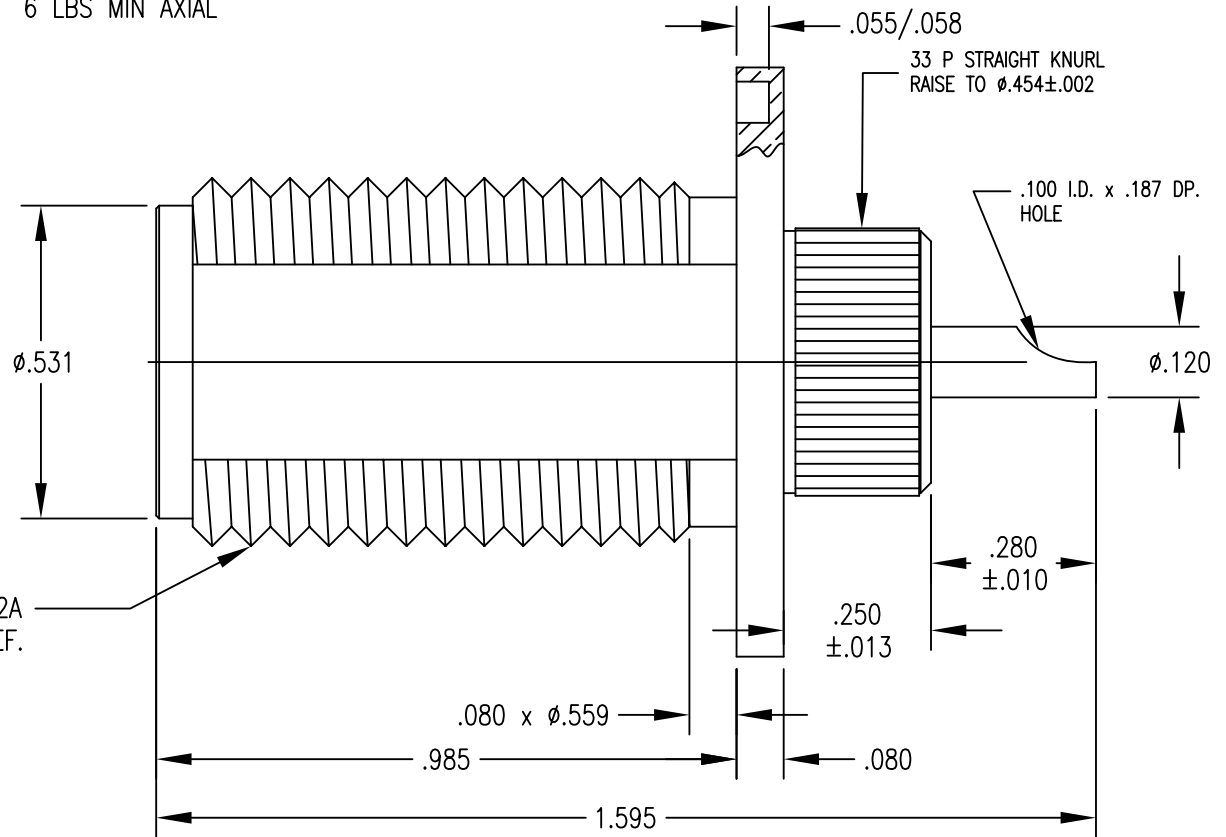
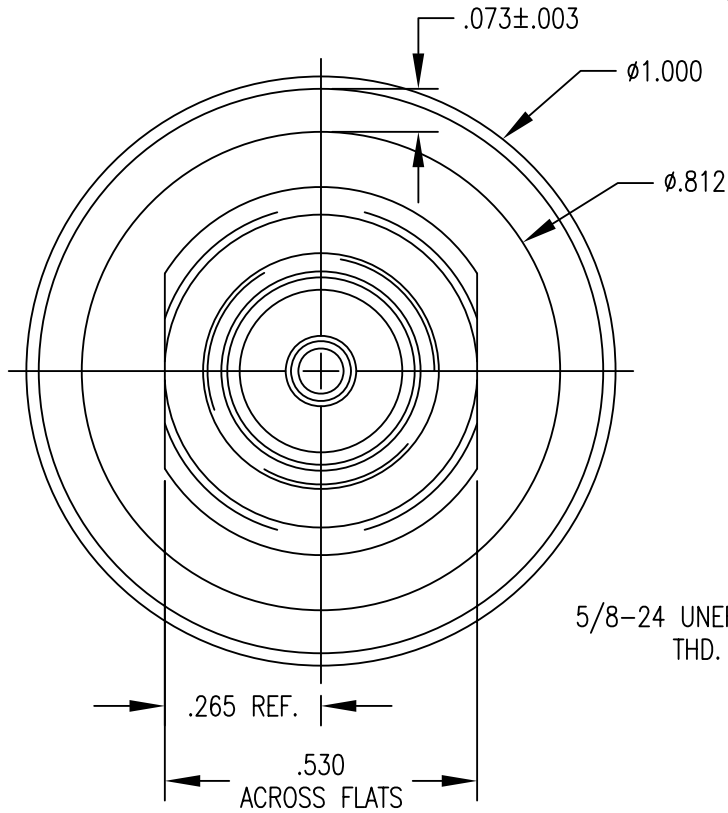


- 1.0 PERFORMANCE
- 1.1 FREQUENCY RANGE: DC-11GHz
- 1.2 VOLTAGE RANGE: 1000V RMS (sea level)
- 1.3 NOMINAL IMPEDANCE: 50 OHMS
- 1.4 DWV: 2500V RMS @ 60Hz (sea level)
- 1.5 TEMPERATURE RANGE: -65°C TO +165°C
- 2.0 MATERIALS: RoHS COMPLIANT
- 2.1 DIELECTRIC: PTFE

- 2.2 CENTER CONTACT: BERYLLIUM COPPER
- 2.3 ALL OTHER METAL PARTS: BRASS
- 3.0 FINISHES: RoHS COMPLIANT
- 4.0 MECHANICAL
- 4.1 INTERFACE IN ACCORDANCE WITH MIL-STD-348
- 4.2 SOLDER CUP MUST BE AS SHOWN RELATIVE TO D FLATS ±5°
- 4.3 CONTACT RETENTION
- ⓐ 40 IN*OZ MIN TORQUE
- 6 LBS MIN AXIAL

DWG NO. OL-0407-12-1		REV. J
PLATING VARIATIONS		
PART NUMBER	BODY	CONTACT
0407-12	SILVER	W: 50 GOLD
0407-12-AG	ALBALOY	W: 50 GOLD
0407-12-BG	ALBALOY/ SILVER	30 GOLD

DO NOT SCALE DRAWING



J	NO CHANGES: ADD TOLERANCES PER CUSTOMER REQ	MIX	7/8/09	FSH	FSH
H	0407-12-BG HAD -20W CENTER CONTACT	MIX	7/8/09	FSH	FSH
G	ADD CONTACT RETENTION & RoHS COMPLIANT	FIFO	3/27/07	FSH	FSH
F	CONTACT 30 GOLD --> 50 GOLD	FIFO	12/8/04	FSH	FSH
E	ADD 0407-12-BG	NEW	12/7/04	FSH	FSH
A	ORIGINAL	NEW	01/02/02		
Rev.	Revisions	Disp.	Date	Dwn.	Appd.
	Ref.:	REMOVE ALL BURRS AND SHARP EDGES .005 MAX.	INTERPRET PER ASME Y14.5M-1994		

THIS DRAWING CONTAINS CONFIDENTIAL INFORMATION PROPRIETARY TO SAN-TRON INC. IT MUST NOT BE REPRODUCED OR DISCLOSED TO OTHERS OR USED IN ANY OTHER WAY, IN WHOLE OR PART EXCEPT AS AUTHORIZED IN WRITING BY SAN-TRON INCORPORATED.

UNLESS OTHERWISE SPECIFIED:
ALL DIMENSIONS ARE IN INCHES.
ALL DIMENSIONS ARE AFTER PLATING.
.XXX= ±.005 ALL MACHINED SURFACES ⁶³ MAX.
.XX= ±.01 ANG.±1/2° FRACTIONAL= ±1/64
ⓐ.004 MAX. TIR. ⊥ AXIS .001

THIRD ANGLE PROJECTION

DWN	JMB	12/26/01
CHKD	SJS	12/28/01
APPR	JO	01/02/02

SAN-TRON, INC.
4 NEWBURYPORT TPK. IPSWICH MA USA 01938
TEL: 978 - 356 -1585 FAX: 978 - 356 -1573
WWW.santron.com E MAIL: santron@santron.com

TITLE N BULKHEAD RECEPTACLE, STRAIGHT FEMALE, PRESS MOUNT

MATERIAL: SEE NOTE 2.0 FINISH: SEE NOTE 3.0

CAGE CODE: 50896 DWG NO. OL-0407-12-1

SCALE X:X REV. J