

1.0 PERFORMANCE

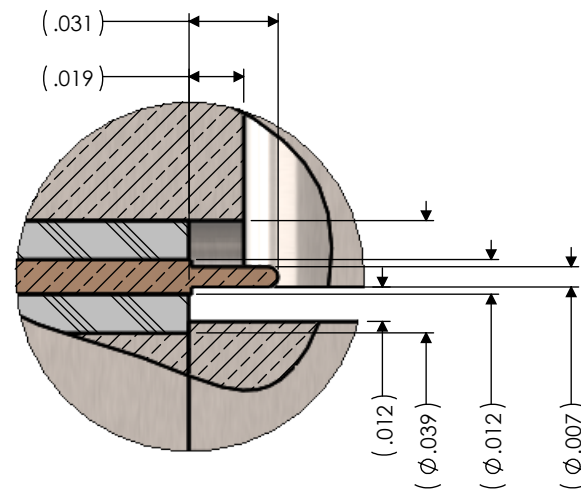
- 1.1 FREQUENCY RANGE: DC-40 GHz
- 1.2 NOMINAL IMPEDANCE: 50 OHMS
- 1.3 VSWR:
 - DC-18GHz 1.15:1 TYP
 - 18-40GHz 1.20:1 TYP
- 1.4 DWV: 300 Vrms @ 60 Hz
- 1.5 TEMPERATURE RANGE: -65/+165°C

2.0 MATERIALS & FINISHES: SEE TABLE

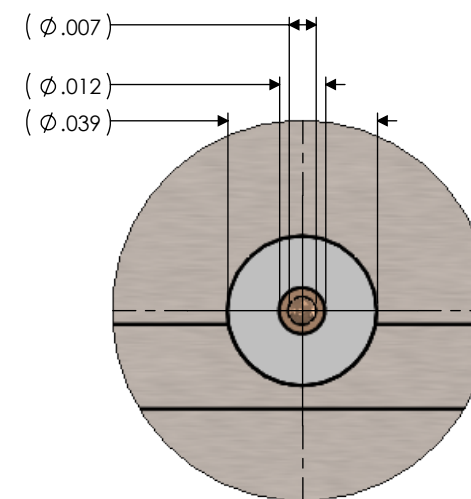
3.0 MECHANICAL

- 3.1 INTERFACES: MIL-STD-348
- 3.2 CONTACT RETENTION: 6 LBS AXIAL
- 3.3 DURABILITY: 500 CYCLES
- 3.4 FOR BOARD THICKNESS UP TO .100

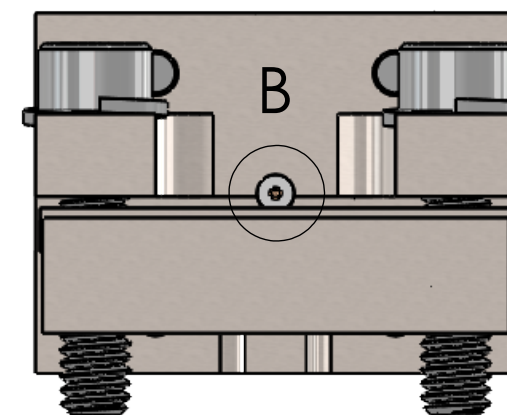
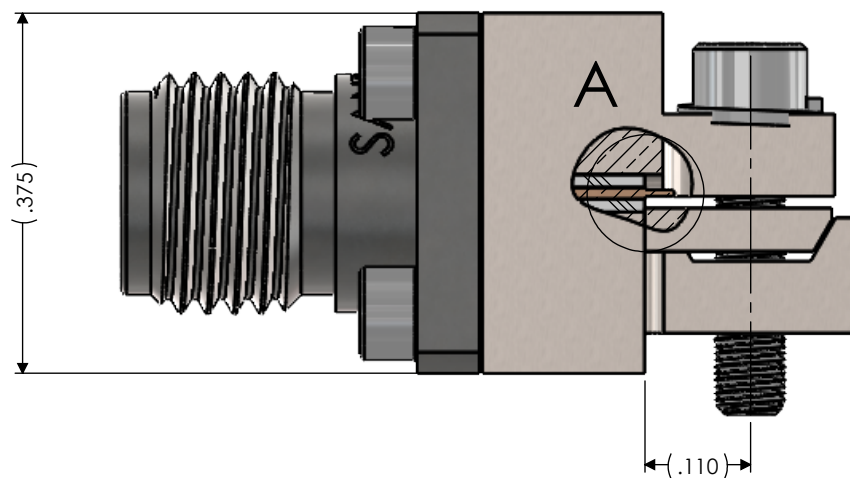
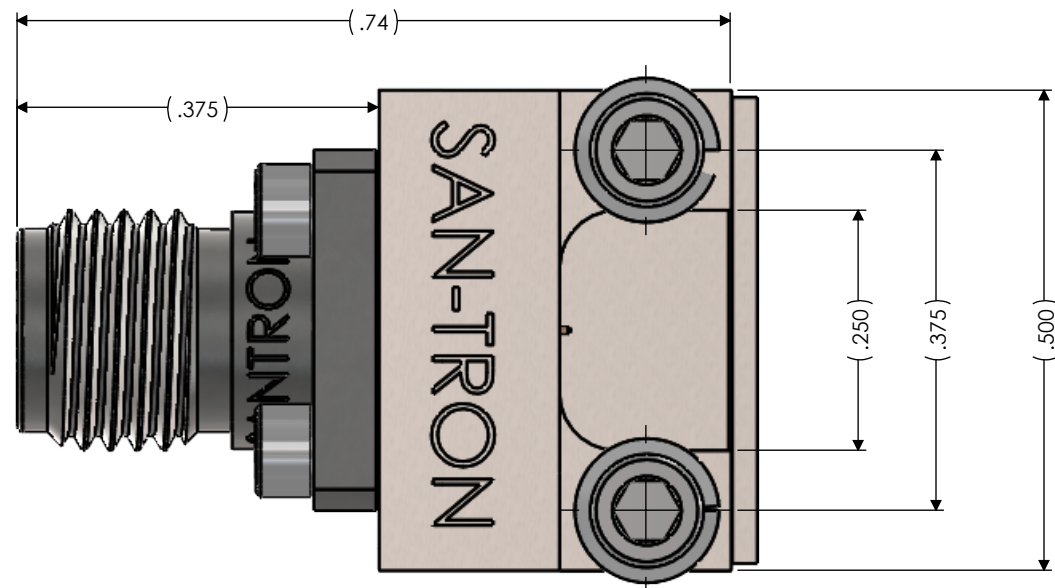
PART NUMBER	2.92mm FIELD REPLACEABLE					EDGE LAUNCH MOUNT				DWG NO.	REV.
	BODY	INSULATOR 1	INSULATOR 2	CONTACT	METAL PARTS	HARDWARE	INSULATOR	CONTACT	OL-2913-05-1	A	
2913-05-PJN	MATERIAL	SS303, ASTM-A-582	ULTEM 1000	PCTFE, ATSM-D140	BeCu, ASTM-B-196	BRASS, ASTM-B-16	STEEL	PTFE, ASTM-D-1710	BeCu, ASTM-B-196	PLATING PER SAN-TRON SPEC. 7.3.1-8	
	PLATING	PASSIVATED	N/A	N/A	Au/Ni	Ni	N/A	N/A	Au/Ni		



DETAIL A
SCALE 15 : 1



DETAIL B
SCALE 20 : 1



REVISIONS					
REV.	DESCRIPTION	DISP	ECN	DATE	APPROVED
A2	ADD NOTE 3.4, BOARD THICKNESS	FIFO	X	1/13/23	NS
A1	ADD NOTE 1.3, REDRAWN	FIFO	X	11/11/22	NS
A	RELEASE	NEW	00399	11/10/22	JL

Material: SEE NOTES
Finish: SEE TABLE
UNLESS OTHERWISE SPECIFIED: ALL DIMENSIONS ARE IN INCHES. ALL DIMENSIONS ARE AFTER PLATING. .XXX = ±.005 ALL MACHINED SURFACES $\sqrt{63}$ MAX. .XX = ±.01 ANG. ±1/2" FRACTIONAL = ± 1/64 [Ø.004 MAX TIR.] [1] [AXIS] [001]
Projection Method: THIRD ANGLE
REMOVE ALL BURRS AND SHARP EDGES .005 MAX

This drawing and any information or descriptive material set out on it are the confidential and copyright property of SAN-TRON, INC. © and MUST NOT BE DISCLOSED, COPIED, LOANED in whole or part or used for any purpose without the written permission of SAN-TRON, INC.			Description: 2.92mm JACK, END LAUNCH CONNECTOR FR.012	
Company Confidential			Designed by: JL	Drawn Date: 5/31/2022
Legal Owner: SAN-TRON, INC. 4 TURNPIKE ROAD, IPSWICH MA USA 01938 TEL: 978-356-1585 FAX: 978-356-1573 WWW.santron.com EMAIL: santron@santron.com			Checked by: NS	Checked Date: 11/10/2022
REF:	CAGE CODE: 50896	Sheet: 1 of 1	Approved by: JL	Approved Date: 11/10/2022