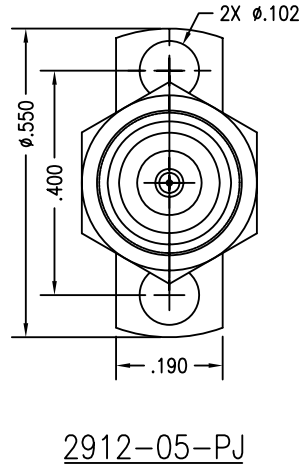
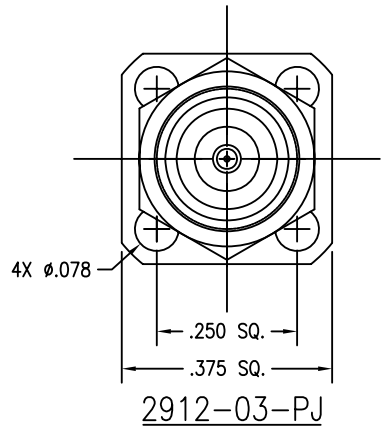
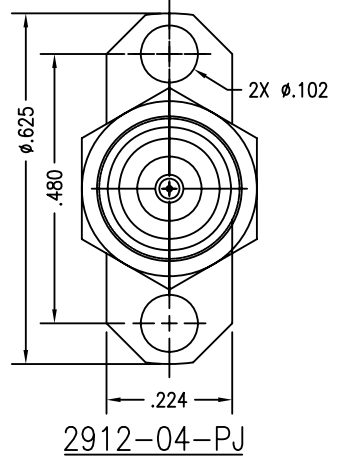
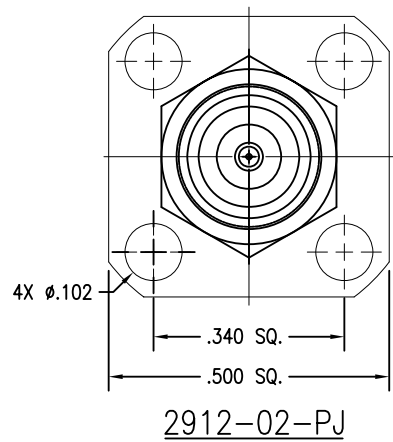
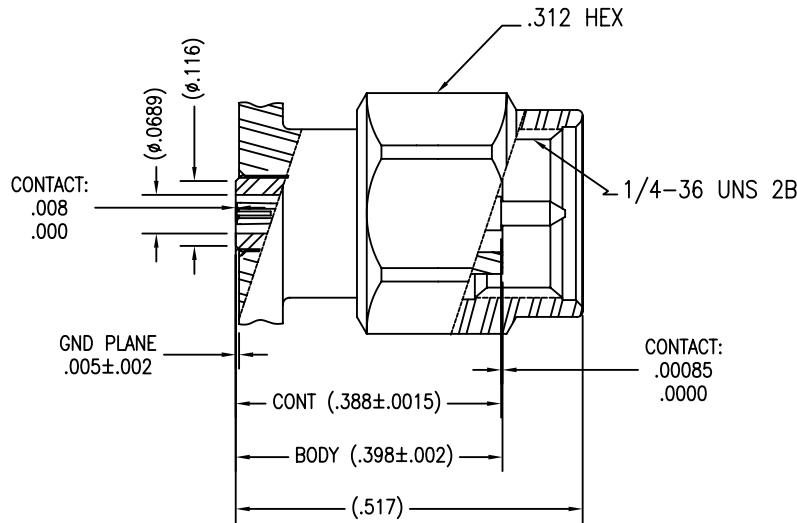


- 1.0 PERFORMANCE: (sea level)  
 1.1 FREQUENCY RANGE DC-40 GHz  
 1.2 VSWR: VSWR<1.07 (DC-12 GHz) ~1.04 EA  
           < 1.40 (40 GHz) ~1.18 EA  
 (2-CONNECTORS PLUS GLASS BEAD)  
 1.3 SYSTEM IMPEDANCE 50 OHMS  
 1.4 DWV: 300 Vrms @ 60 Hz  
 1.5 TEMP RANGE: -65 / +85°C  
                   SHORT TERM TO +150°C

- 2.0 MATERIALS  
 2.1 CONTACT: BeCu  
 2.2 BODY: SS-303  
 2.3 INSULATOR: DELRIN  
 2.4 COUPLING NUT: SS-303  
 2.5 LOCKING RING: BeCu  
 2.6 GASKET: SI RUBBER  
 3.0 FINISHES: SEE TABLE  
 3.1 SS303: PASSIVATE  
 3.2 CONTACT: .000050 Au/Ni

- 4.0 MECHANICAL  
 4.1 INTERFACE REF MIL-STD-348  
 4.2 CONTACT RETENTION 6 LBS AXIAL  
 4.3 CONTACT TORQUE RETENTION: N/A  
 4.4 DURABILITY: 500 CYCLES

DO NOT SCALE DRAWING



Rev.	Revisions	Disp.	Date	Dwn.	Appd.
E	FIX LAUNCH DIA TO φ.0689	FIFO	4-8-10	FSH	FSH
D	UPDATED OL NOTES	FIFO	3/29/10	JTH	
C	UPDATED OL DIMENSIONS, TOLERANCES	FIFO	3/24/10	JTH	
B	UPDATE RF PERFORMANCE	SCRP	12/17/09	PENDING	
A	OUTLINE RELEASE	NEW	6/5/09		

Ref.: SK-	REMOVE ALL BURRS AND SHARP EDGES .005 MAX.	INTERPRET PER ASME Y14.5M-1994
--------------	--	--------------------------------

THIS DRAWING CONTAINS CONFIDENTIAL INFORMATION PROPRIETARY TO SAN-TRON, INC. IT MUST NOT BE REPRODUCED OR DISCLOSED TO OTHERS OR USED IN ANY OTHER WAY, IN WHOLE OR PART EXCEPT AS AUTHORIZED IN WRITING BY SAN-TRON, INC.

UNLESS OTHERWISE SPECIFIED:  
 ALL DIMENSIONS ARE IN INCHES.  
 ALL DIMENSIONS ARE AFTER PLATING.  
 .XXX = ±.005 ALL MACHINED SURFACES  $\sqrt{64}$  MAX.  
 .XX = ±.01 ANG. ±1/2° FRACTIONAL = ±1/64  
 ◎.004 MAX. TIR.      ⊥ AXIS .001

THIRD ANGLE PROJECTION

DWN	JTH	5/15/09
CHKD		
APPR	FSH	6/5/09

**SAN-TRON, INC.**  
 4 NEWBURYPORT TPK. IPSWICH MA USA 01938  
 TEL: 978-356-1585 FAX: 978-356-1573  
 WWW.SANTRON.COM E MAIL: SANTRON@SANTRON.COM

TITLE 2,92 PANEL RECEPTACLE MALE SERIES  
 GROUND PLANE, FIELD REPLACEABLE .012 PIN

MATERIAL: SEE NOTES	FINISH: SEE TABLE
------------------------	----------------------

CAGE CODE: 50896	DWG NO. OL-2912 FR.012	REV. E
SCALE X:X		