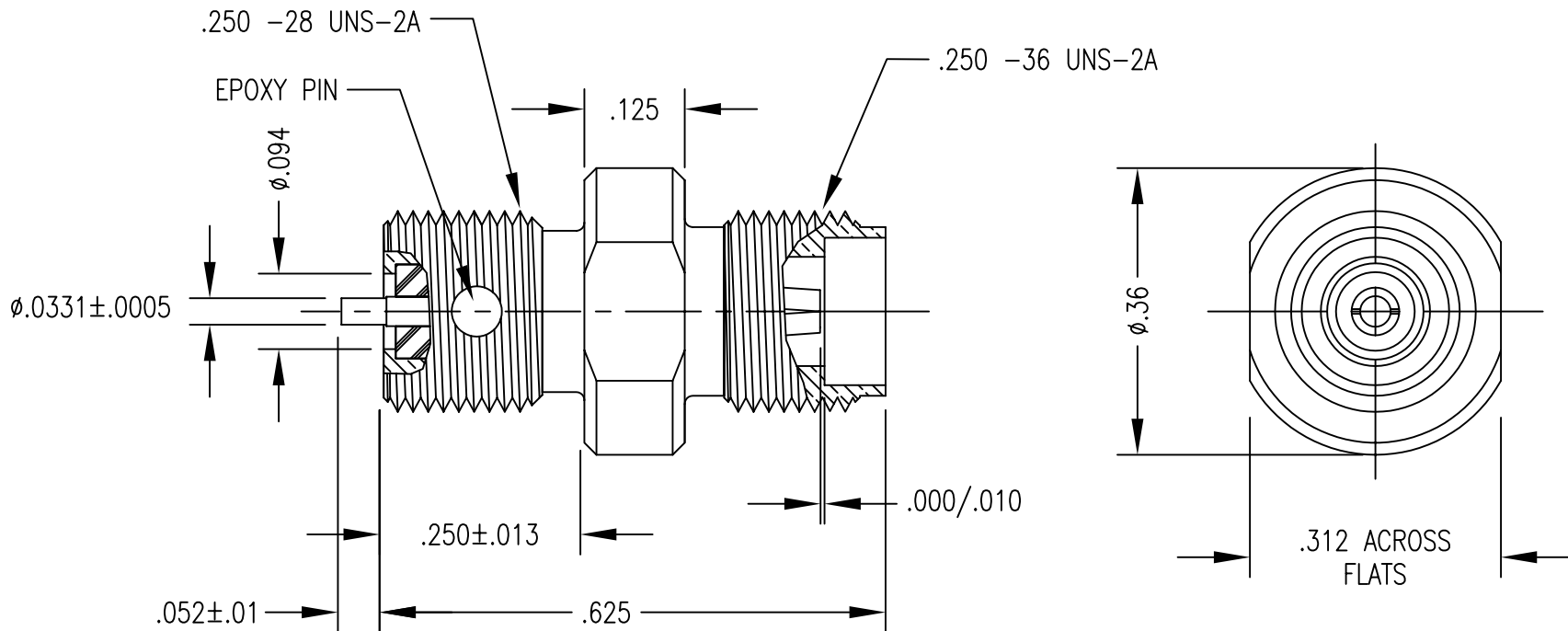


- 1.0 PERFORMANCE:
 1.1 FREQUENCY RANGE DC-34 GHz
 1.3 SYSTEM IMPEDANCE 50 OHMS
 1.4 DWV: 750 Vrms @ 60 Hz (SEA LEVEL)
 1.5 VOLTAGE RATING: 250 Vrms (SEA LEVEL)
 1.6 EPOXY GLASS TRANSITION TEMP 111°C
 1.7 TEMP RANGE: -65 / +165 °C

- 2.0 MATERIALS
 2.1 SOCKET CONTACT: BeCu
 2.2 BODY: BRASS
 2.3 INSULATOR: TEFLON
 3.0 FINISHES
 3.1 BODY: MINIMUM PLATE OF
 .000030 GOLD OVER .000080 COPPER
 3.2 CONTACT: MINIMUM PLATE OF
 .000100 SOFT GOLD, MIL-G-45204,
 TYPE III, GRADE A OVER .000050 NICKEL

- 4.0 MECHANICAL
 4.1 INTERFACE PER SAN-TRON 2900-00-1
 4.2 COUPLING PROOF TORQUE 15 INCH*LBS
 4.3 CONTACT DEFLECTION < .0025 @ 6 LBS
 4.4 CONTACT DISPLACEMENT < .0010 @ 6 LBS
 4.5 CONTACT TORQUE RETENTION 4 IN*OZ MIN
 4.6 DURABILITY: 100 CYCLES

DWG NO. OL-2907-02-1		REV. B
PART NUMBER 2907-02-GG	BODY GOLD NOTE 3.1	CONTACT GOLD NOTE 3.2
PLATING PER SAN-TRON SPEC. 7.3.1-8		



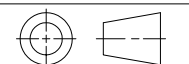
DO NOT SCALE DRAWING

Rev.	Revisions	Disp.	Date	Dwn.	Appd.
B	REVISE NOTES 1.6, 3.2, 4.3, 4.4, 4.5	FIFO	1/16/05	FSH	FSH
A	TYPO: $\phi.094$ WAS $\phi.076$	NEW	12/2/03	FSH	FSH
A	ORIGINAL WAS 2907-01-1 ADD EPOXY PIN	NEW	12/2/03		

RECOM. STOCK SIZE	FT/M PCS	Ref.: SK	REMOVE ALL BURRS AND SHARP EDGES .005 MAX.	INTERPRET PER ASME Y14.5M-1994
-------------------	----------	----------	--	--------------------------------

THIS DRAWING CONTAINS CONFIDENTIAL INFORMATION PROPRIETARY TO SAN-TRON INC. IT MUST NOT BE REPRODUCED OR DISCLOSED TO OTHERS OR USED IN ANY OTHER WAY, IN WHOLE OR PART EXCEPT AS AUTHORIZED IN WRITING BY SAN-TRON INCORPORATED.

UNLESS OTHERWISE SPECIFIED:
 ALL DIMENSIONS ARE IN INCHES.
 ALL DIMENSIONS ARE AFTER PLATING.
 .XXX = $\pm.005$ ALL MACHINED SURFACES \sqrt{R} MAX.
 .XX = $\pm.01$ ANG. $\pm 1/2^\circ$ FRACTIONAL = $\pm 1/64$
 $\text{[} \phi \text{]}$.004 MAX. TIR. $\text{[} \perp \text{]}$ AXIS .001



THIRD ANGLE PROJECTION

DWN	FSH	12/2/03
CHKD	SJS	/
APPR	FSH	12/2/03



SAN-TRON, INC.
 4 NEWBURYPORT TPK. IPSWICH MA USA 01938
 TEL: 978 - 356 -1585 FAX: 978 - 356 -1573
 WWW. santron.com E MAIL: santron@santron.com

TITLE	PC 3,5 MM (F) BULKHEAD RECEPTACLE, STRAIGHT, THREAD MOUNT (SPARK PLUG)	
MATERIAL:	SEE NOTES	FINISH: SEE NOTES
CAGE CODE:	50896	DWG NO. OL-2907-02-1
SCALE	X:X	REV. B