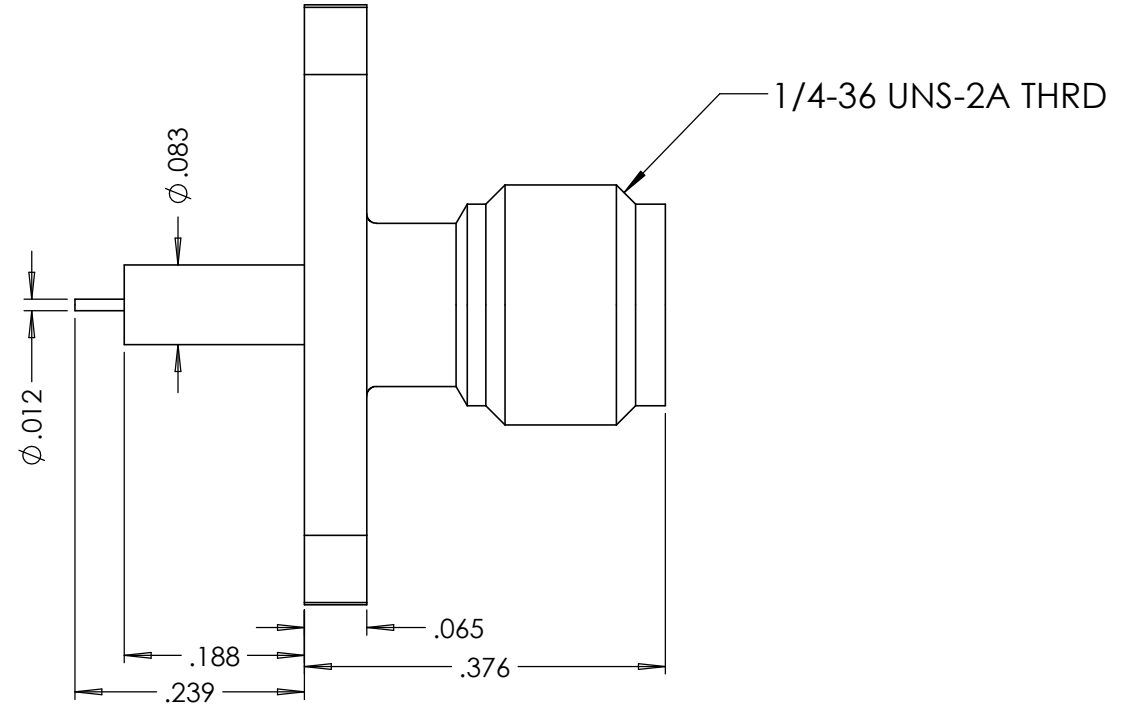
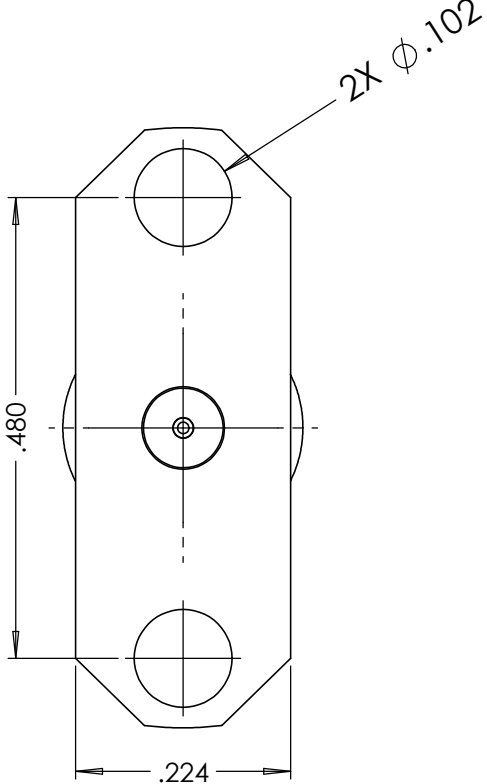


DWG NO.		REV.	
OL-2906-29-1		A	
PART NUMBER	BODY	CONTACT	
2906-29-PJ	PASSIVATE	Au/Ni	
PLATING PER SAN-TRON SPEC. 7.3.1-8			

- | | | |
|---|---|--|
| <p>1.0 PERFORMANCE</p> <p>1.1 FREQUENCY RANGE: DC-40 GHz</p> <p>1.2 NOMINAL IMPEDANCE: 50 OHMS</p> <p>1.3 DWV: 500 Vrms @ 60 Hz</p> <p>1.4 TEMPERATURE RANGE: -65/+165°C</p> | <p>2.0 MATERIALS</p> <p>2.1 BODY: SS 303</p> <p>2.2 CONTACT: BeCu</p> <p>2.3 DIELECTRIC: ULTEM</p> | <p>3.0 MECHANICAL</p> <p>3.1 INTERFACES: MIL-STD-348</p> <p>3.2 CONTACT RETENTION: 6 LBS AXIAL
4 IN*OZ TORQUE</p> <p>3.3 DURABILITY: 500 CYCLES</p> |
|---|---|--|



REVISIONS				
REV.	DESCRIPTION	DISP	DATE	APPROVED
A	RELEASE	NEW	1/2/19	FSH

Material:
SEE NOTES

Finish:
SEE TABLE

UNLESS OTHERWISE SPECIFIED:
ALL DIMENSIONS ARE IN INCHES.
ALL DIMENSIONS ARE AFTER PLATING.

XXX = ±.005 ALL MACHINED SURFACES $\sqrt{63}$ MAX.
.XX = ±.01 ANG. ±1/2° FRACTIONAL = ± 1/64

Ⓞ .004 MAX TIR. ⊓ ⊓ [AXIS] .001

Projection Method:
THIRD ANGLE

REMOVE ALL BURRS AND SHARP EDGES
.005 MAX

This drawing and any information or descriptive material set out on it are the confidential and copyright property of SAN-TRON, INC. © and MUST NOT BE DISCLOSED, COPIED, LOANED in whole or part or used for any purpose without the written permission of SAN-TRON, INC.

Company Confidential

Legal Owner:
SAN-TRON, INC.
4 TURNPIKE ROAD, IPSWICH MA USA 01938
TEL: 978-356-1585 FAX: 978-356-1573
WWW.santron.com EMAIL: santron@santron.com

REF: CAGE CODE: **50896** Sheet: 1 of 1

Description:
2.92 2H FLANGE RECEPTACLE, FEMALE, STRAIGHT, EXPENDED POST & INSULATOR

Designed by: ST Drawn Date: 9/4/2018

Checked by: JS Checked Date: 1/2/2019

Approved by: FSH Approved Date: 1/2/2019