

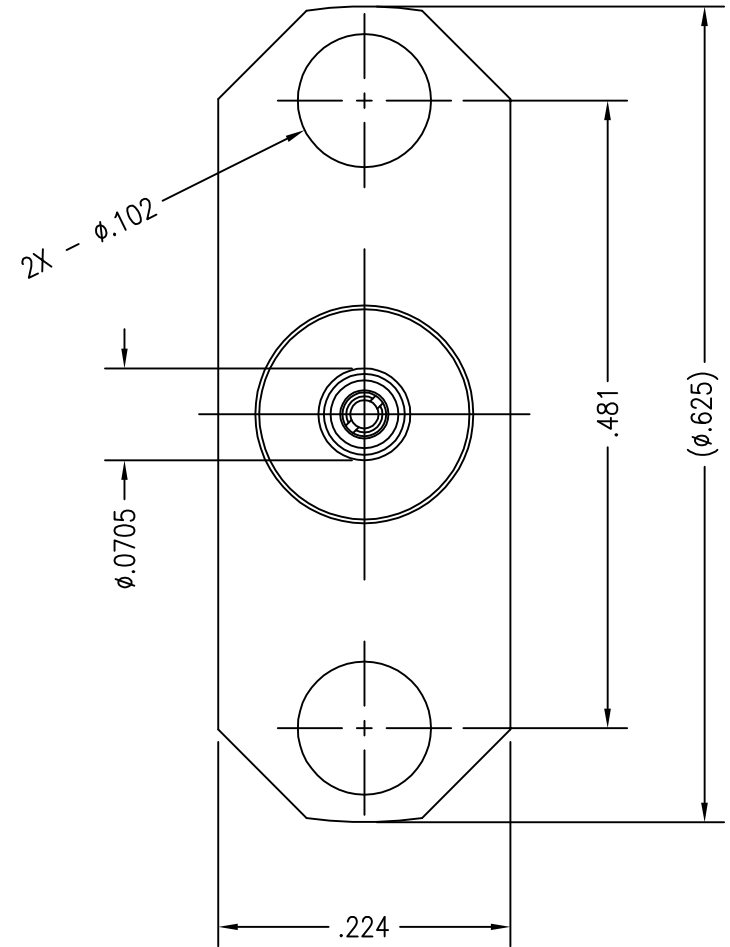
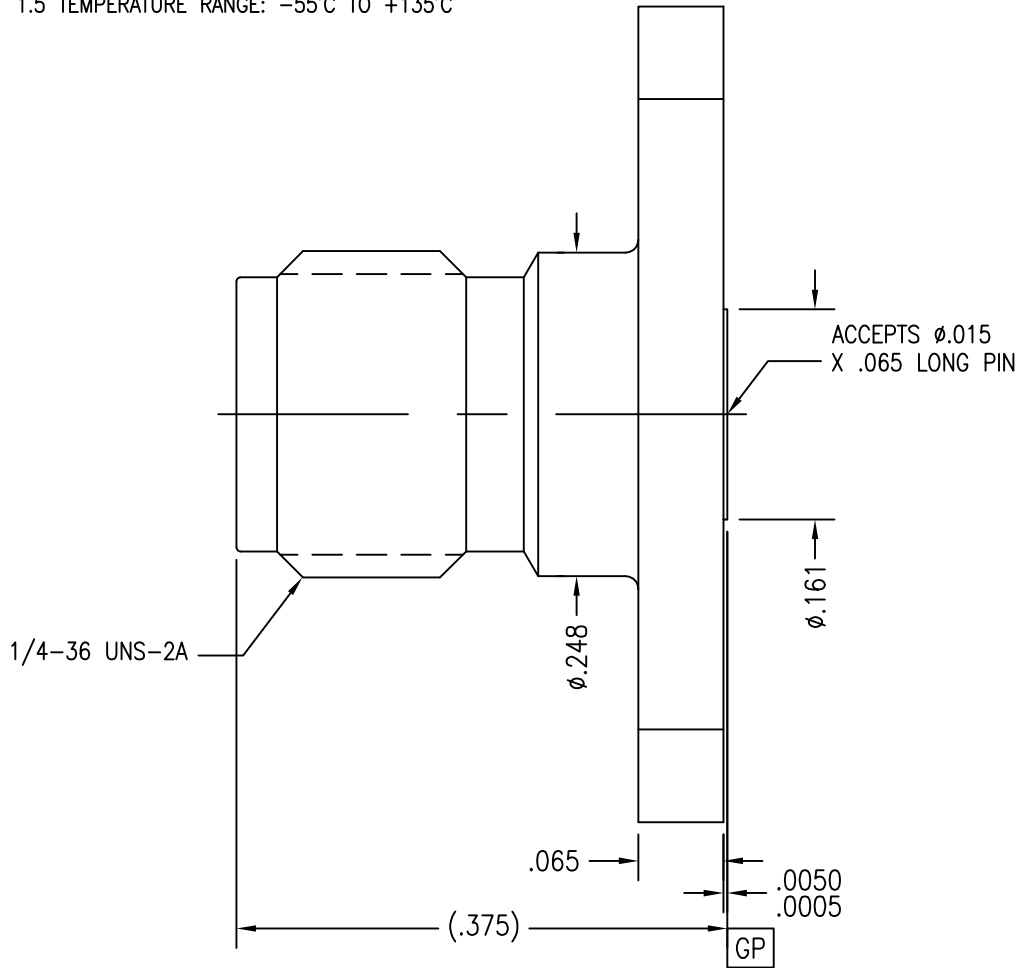
- 1.0 ELECTRICAL PERFORMANCE
 1.1 FREQUENCY RANGE: DC TO 40 GHz
 1.2 NOMINAL IMPEDANCE: 50 OHMS
 1.3 VSWR: DC TO 27 GHz: 1.10 MAX
 27 TO 40 GHz: 1.15 MAX
 1.4 DWV: 375 VRMS @ 60 Hz (SEA LEVEL)
 1.5 TEMPERATURE RANGE: -55°C TO +135°C

- 2.0 MATERIALS (RoHS & REACH)
 2.1 CONTACT: BERYLLIUM COPPER
 2.2 DIELECTRICS: KEL-F & ULTEM
 2.3 OTHER METAL PARTS: SS-303

- 3.0 FINISHES: SEE TABLE
 4.0 MECHANICAL
 4.1 INTERFACE PER MIL-STD-348, FIGS 323-2

DWG NO. OL-2906-28-1		REV. A
PART NUMBER 2906-28-PJ	BODY PASSIVATE	CONTACT GOLD/Ni

PLATING PER SAN-TRON SPEC. 7.3.1-8



THIS DRAWING CONTAINS CONFIDENTIAL INFORMATION PROPRIETARY TO SAN-TRON, INC. IT MUST NOT BE REPRODUCED OR DISCLOSED TO OTHERS OR USED IN ANY OTHER WAY, IN WHOLE OR PART EXCEPT AS AUTHORIZED IN WRITING BY SAN-TRON, INC.

UNLESS OTHERWISE SPECIFIED:
 ALL DIMENSIONS ARE IN INCHES.
 ALL DIMENSIONS ARE AFTER PLATING.
 .XXX = \pm .005 ALL MACHINED SURFACES ϕ 3/ MAX.
 .XX = \pm .01 ANG. \pm 1/2' FRACTIONAL = \pm 1/64

Ⓢ .004 MAX. TIR. \perp AXIS .001



SAN-TRON, INC.

4 NEWBURYPORT TPK. IPSWICH MA USA 01938

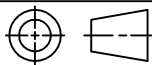
TEL: 978-356-1585 FAX: 978-356-1573

WWW.santron.com E MAIL: santron@santron.com

TITLE S2.92 PANEL RECEPTACLE, FR.015
 FLANGE, 2-HOLE

MATERIAL: SEE NOTES

FINISH: SEE TABLE



THIRD ANGLE PROJECTION

DWN	FSH	11/6/18
CHKD	FSH	11/6/18
APPR	FSH	11/7/18

CAGE CODE: 50896

DWG NO.

OL-2906-28-1

REV.
A

SCALE X:X

DO NOT SCALE DRAWING

Rev.	Revisions	Disp.	Date	Dwn.	Appd.
A	ISSUE 2906-28-PJ (FR.015 VERSION)	NEW	11/7/18		
Ref.:	BRM27886	REMOVE ALL BURRS AND SHARP EDGES .005 MAX.	INTERPRET PER ASME Y14.5M-1994		