

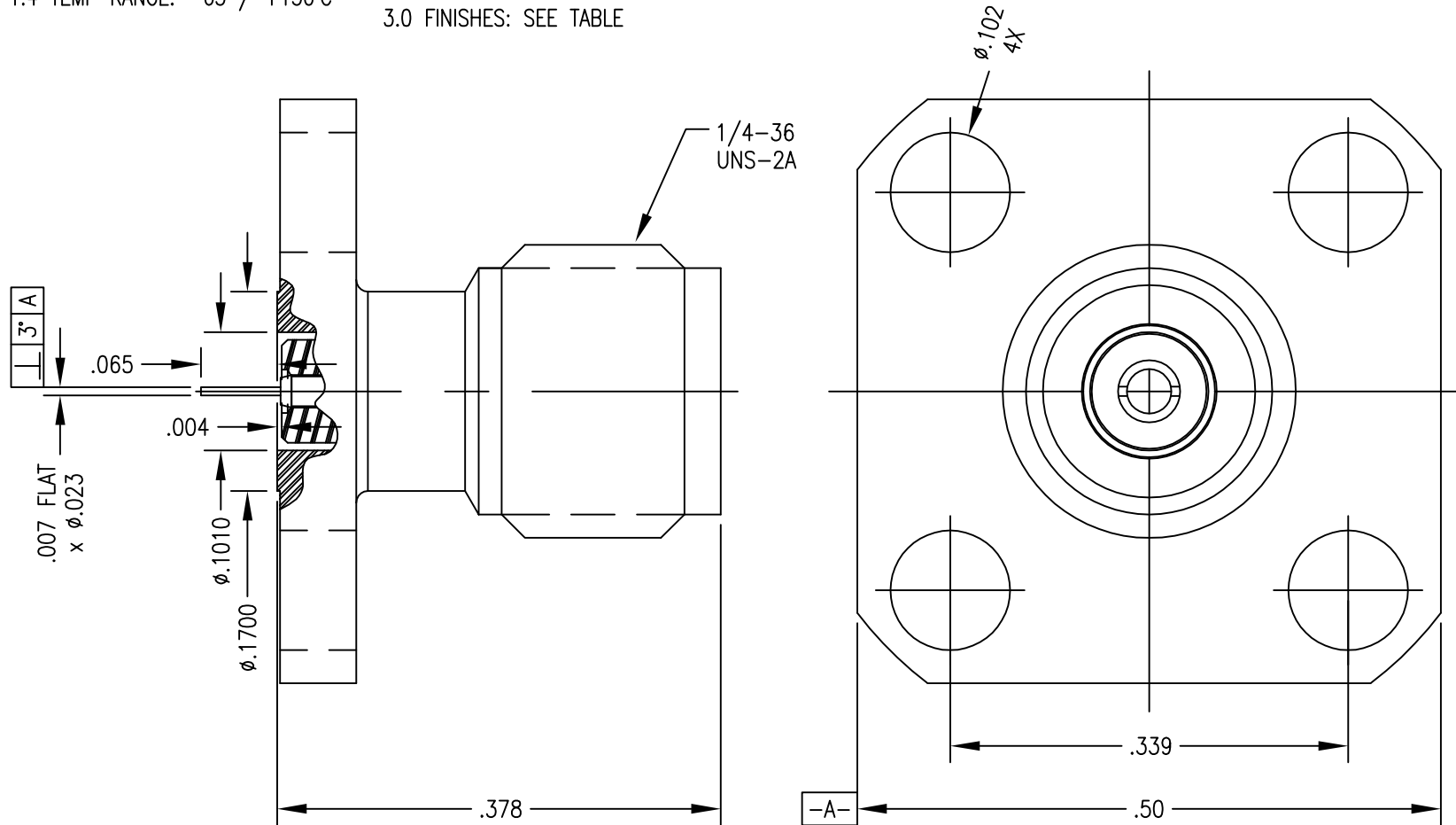
1.0 PERFORMANCE: (sea level)
 1.1 FREQUENCY RANGE DC-30 GHz
 1.2 SYSTEM IMPEDANCE 50 OHMS
 1.3 DWV: 500 Vrms @ 60 Hz
 1.4 TEMP RANGE: -65 / +150°C

2.0 MATERIALS
 2.1 SOCKET CONTACT: BeCu
 2.2 BODY: SS303
 2.3 INSULATOR: pSERIES
 3.0 FINISHES: SEE TABLE

4.0 MECHANICAL
 4.1 INTERFACES REF MIL-STD-348
 + AIR INTERFACE
 4.2 DURABILITY: 500 CYCLES

DWG NO. OL-2906-19-1		REV. A
PART NUMBER 2906-19-PJ	BODY PASSIVATE	CONTACT GOLD/Ni

PLATING PER SAN-TRON SPEC. 7.3.1-8



THIS DRAWING CONTAINS CONFIDENTIAL INFORMATION PROPRIETARY TO SAN-TRON, INC. IT MUST NOT BE REPRODUCED OR DISCLOSED TO OTHERS OR USED IN ANY OTHER WAY, IN WHOLE OR PART EXCEPT AS AUTHORIZED IN WRITING BY SAN-TRON, INC.

UNLESS OTHERWISE SPECIFIED:
 ALL DIMENSIONS ARE IN INCHES.
 ALL DIMENSIONS ARE AFTER PLATING.
 .XXX = ±.005 ALL MACHINED SURFACES 63/ MAX.
 .XX = ±.01 ANG. ±1/2' FRACTIONAL = ±1/64

Ⓢ.004 MAX. TIR. ⊥ AXIS .001



SAN-TRON, INC.

4 NEWBURYPORT TPK. IPSWICH MA USA 01938
 TEL: 978 - 356 -1585 FAX: 978 - 356 -1573
 WWW.santron.com E MAIL: santron@santron.com

TITLE
 SMA2,92 pSERIES PANEL RECEPTACLE

MATERIAL: SEE NOTES FINISH: SEE TABLE

DWN FSH 9/23/15
 CHKD JS 10/13/15
 APPR FSH 10/13/15
 CAGE CODE: 50896 DWG NO. OL-2906-19-1 REV. A
 SCALE X:X



Rev.	Revisions	Disp.	Date	Dwn.	Appd.
A	ORIGINAL	NEW	10/13/15		
Ref.: BRM25143		REMOVE ALL BURRS AND SHARP EDGES .005 MAX.		INTERPRET PER ASME Y14.5M-1994	

DRAWING SCALE NOT TO