

1.0 PERFORMANCE: (sea level)
 1.1 FREQUENCY RANGE DC-40 GHz
 1.2 SYSTEM IMPEDANCE 50 OHMS
 1.3 DWV: 300 Vrms @ 60 Hz
 1.4 TEMP RANGE: -35 / +85°C
 1.5 PRESSURIZED: 15 PSIG

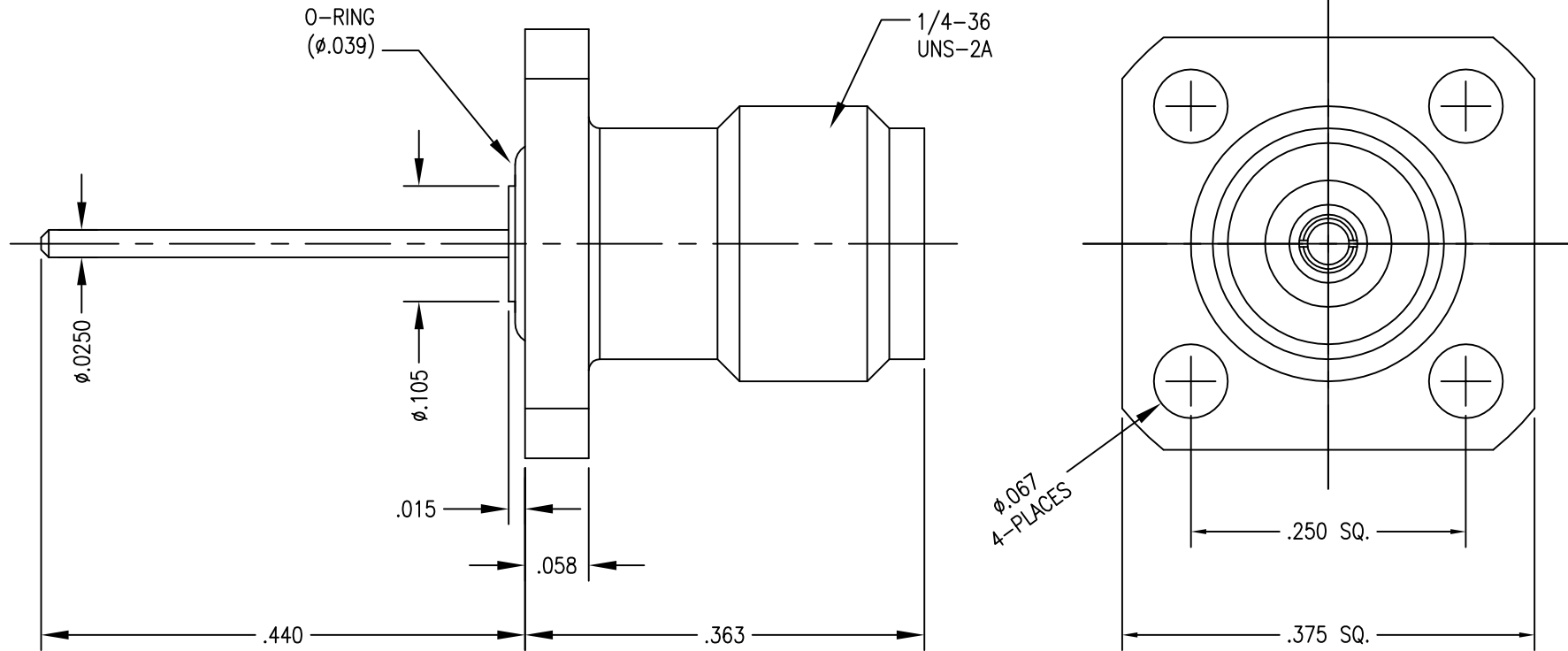
2.0 MATERIALS: RoHS
 2.1 SOCKET CONTACT: BeCu
 2.2 BODY: SS-303, $\mu < 2.0$
 2.3 INSULATORS: DELRIN & PTFE
 2.4 O-RING: Si RUBBER

3.0 FINISHES: SEE TABLE
 4.0 MECHANICAL
 4.1 INTERFACE REF MIL-STD-348
 4.2 CONTACT RETENTION 6 LBS AXIAL
 4.3 CONTACT TORQUE RETENTION: N/A
 4.4 DURABILITY: 500 CYCLES

DWG NO. OL-2906-15-1		REV. C
PART NUMBER 2906-15-PJ	BODY PASSIVATE	CONTACT Au/Ni

PLATING PER SAN-TRON SPEC. 7.3.1-8

DO NOT SCALE DRAWING



Rev.	Revisions	Disp.	Date	Dwn.	Appd.
C	ADDED O-RING *, UPDATED ASSEMBLY		1/27/10	JTH	FSH
B	15PSIG WAS PSI / .058 WAS .055		1/18/10	FSH	FSH
A	ISSUE		1/15/10	FSH	FSH
3	PRELIMINARY: ADD 15 PSI		1/12/10		

Ref.: BRM15371	REMOVE ALL BURRS AND SHARP EDGES .005 MAX.	INTERPRET PER ASME Y14.5M-1994
-------------------	--	--------------------------------

THIS DRAWING CONTAINS CONFIDENTIAL INFORMATION PROPRIETARY TO SAN-TRON, INC. IT MUST NOT BE REPRODUCED OR DISCLOSED TO OTHERS OR USED IN ANY OTHER WAY, IN WHOLE OR PART EXCEPT AS AUTHORIZED IN WRITING BY SAN-TRON, INC.

UNLESS OTHERWISE SPECIFIED:
 ALL DIMENSIONS ARE IN INCHES.
 ALL DIMENSIONS ARE AFTER PLATING.
 .XXX = ±.005 ALL MACHINED SURFACES $\sqrt{\text{MAX}}$.
 .XX = ±.01 ANG. ±1/2° FRACTIONAL = ±1/64
 ◎ .004 MAX. TIR

THIRD ANGLE PROJECTION	DWN	FSH	11/20/09
	CHKD	SJS	1/13/10
	APPR	FSH	1/15/10

SAN-TRON, INC.
 4 NEWBURYPORT TPK. IPSWICH MA USA 01938
 TEL: 978 - 356 -1585 FAX: 978 - 356 -1573
 WWW. santron.com E MAIL: santron@santron.com

TITLE 2,92 PANEL RECEPTACLE, .375 SQ. FLANGE, POST 0.025 x .440

MATERIAL:	FINISH: SEE TABLE
CAGE CODE: 50896	DWG NO. OL-2906-15-1
SCALE X:X	REV. C