

- 1.0 PERFORMANCE: (sea level)  
 1.1 FREQUENCY RANGE DC-40 GHz  $\text{\textcircled{F}}$   
 1.2 VSWR: VSWR<1.07 (DC-12 GHz)  $\sim$ 1.04 EA  
 < 1.40 (40 GHz)  $\sim$ 1.18 EA  
 (2-CONNECTORS PLUS GLASS BEAD)  
 1.3 SYSTEM IMPEDANCE 50 OHMS  
 1.4 DWV: 300 Vrms @ 60 Hz  
 1.5 TEMP RANGE: -65 / +85°C  
 SHORT TERM TO +150°C

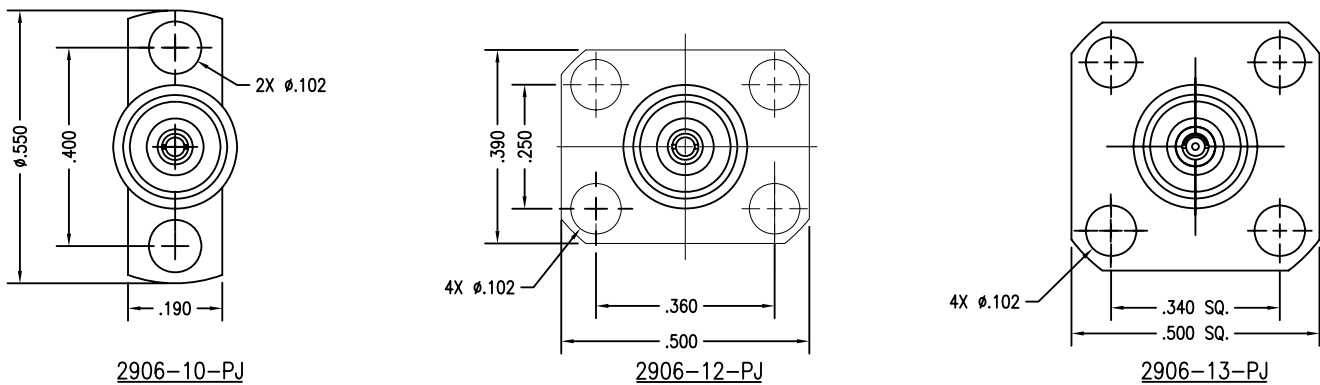
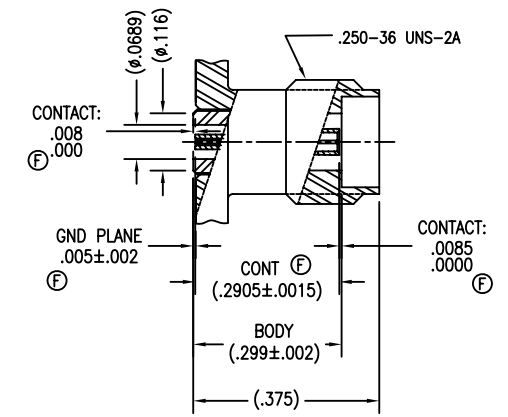
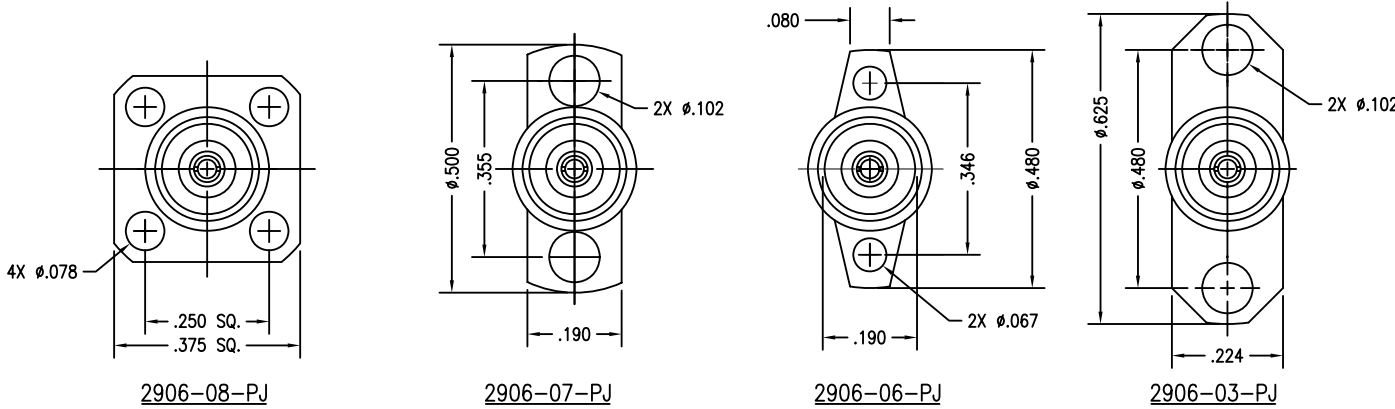
- 2.0 MATERIALS  
 2.1 SOCKET CONTACT: BeCu  
 2.2 BODY: SS-303  
 2.3 INSULATOR: DELRIN  
 3.0 FINISHES: SEE TABLE

- 4.0 MECHANICAL  
 4.1 INTERFACE REF MIL-STD-348  
 4.2 CONTACT RETENTION 6 LBS AXIAL  
 4.3 CONTACT TORQUE RETENTION: N/A  
 4.4 DURABILITY: 500 CYCLES

DWG NO. OL-2906 FR012		REV. F
PART NUMBER 2906-XX-PJ	BODY PASSIVATE	CONTACT Au/Ni

PLATING PER SAN-TRON SPEC. 7.3.1-8

DRAWING SCALE NOT DO



F	UPDATE INTERFACE DIMS & RF PERFORMANCE	FIFO	2/19/10	FSH	FSH
E	UPDATED RF PERFORMANCE	FIFO	12/17/09	fsh	fsh
D	ADDED 2906-13-PJ	NEW	10/5/09	JTH	
C	.2906-12-PJ FLANGE .360 WAS .340, HOLE LOCATION	SCRP	8/20/09	JTH	
B	ADDED 2906-12-PJ TO OL	NEW	8/6/09	JTH	
A	OUTLINE RELEASE	NEW	5/13/09	<input checked="" type="checkbox"/>	<input checked="" type="checkbox"/>
Rev.	Revisions	Disp.	Date	Dwn.	Appd.
	Ref.: SK-	REMOVE ALL BURRS AND SHARP EDGES .005 MAX.	INTERPRET PER ASME Y14.5M-1994	THIRD ANGLE PROJECTION	

THIS DRAWING CONTAINS CONFIDENTIAL INFORMATION PROPRIETARY TO SAN-TRON, INC. IT MUST NOT BE REPRODUCED OR DISCLOSED TO OTHERS OR USED IN ANY OTHER WAY, IN WHOLE OR PART EXCEPT AS AUTHORIZED IN WRITING BY SAN-TRON, INC.

UNLESS OTHERWISE SPECIFIED:  
 ALL DIMENSIONS ARE IN INCHES.  
 ALL DIMENSIONS ARE AFTER PLATING.  
 .XXX = ±.005 ALL MACHINED SURFACES  $\text{\textcircled{F}}$  MAX.  
 .XX = ±.01 ANG. ±1/2° FRACTIONAL = ±1/64  
 $\text{\textcircled{C}}$ .004 MAX. TIR.  $\text{\textcircled{L}}$  AXIS .001

DWN	JTH	5/13/09
CHKD	SJS	5/13/09
APPR	FSH	5/13/09

**SAN-TRON, INC.**  
 4 NEWBURYPORT TPK. IPSWICH MA USA 01938  
 TEL: 978 - 356 -1585 FAX: 978 - 356 -1573  
 WWW.SANTRON.COM E MAIL: santron@santron.com

**TITLE 2,92 PANEL RECEPTACLE SERIES**  
 GROUND PLANE, FIELD REPLACEABLE .012 PIN

MATERIAL: SS-303, DELRIN, BeCu FINISH: SEE TABLE

CAGE CODE: 50896 DWG NO. OL-2906 FR012 REV. F

SCALE X:X