

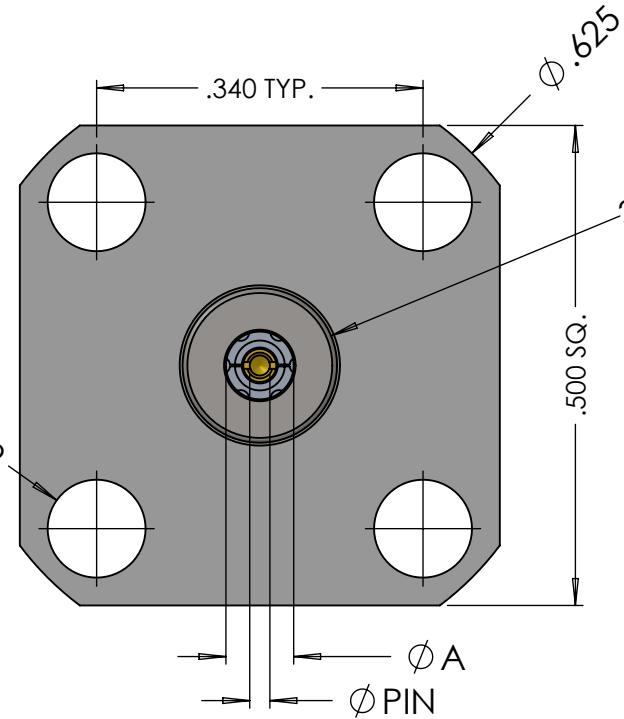
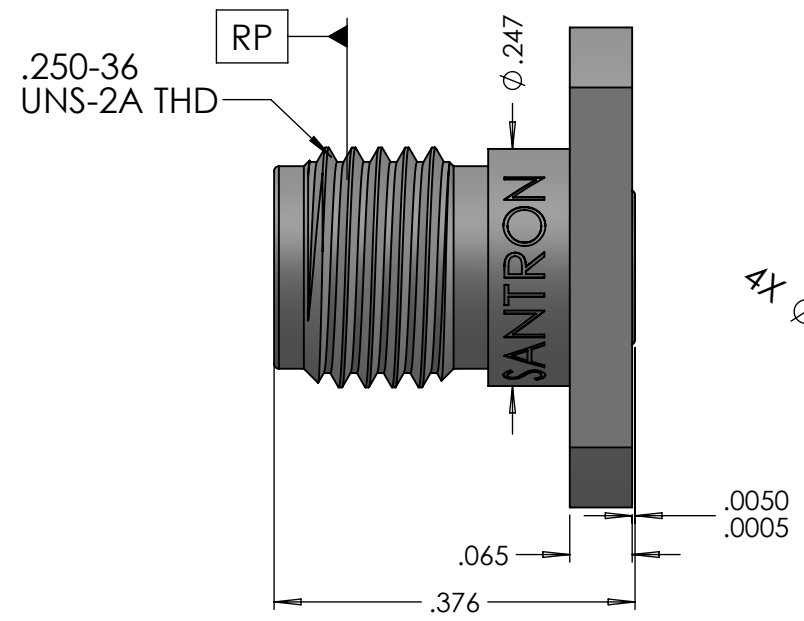
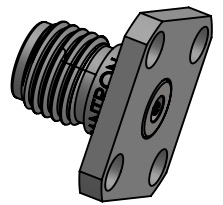
DWG NO.	REV.
OL-2906-206-1	A

1.0 PERFORMANCE
 1.1 FREQUENCY RANGE: DC-40GHz
 1.2 NOMINAL IMPEDANCE: 50 OHMS
 1.3 VSWR:
 DC-18GHz...1.10:1 TYP
 18-40GHz...1.15:1 TYP
 1.4 TEMPERATURE RANGE: -55/+135°C

3.0 FINISH
 3.1 BODY: PASSIVATE, ASTM-A-967
 3.2 CONTACT: GOLD, ASTM-B488, TYPE II, CODE C, CLASS 1,27
 4.0 MECHANICAL
 4.1 INTERFACES: MIL-STD-348
 4.2 CONTACT RETENTION: 6 LBS AXIAL
 4.3 DURABILITY: 500 CYCLES

2.0 MATERIALS
 2.1 BODY: SS 303, ASTM-A-582
 2.2 CONTACT: BeCu, ASTM-B-196
 2.3 DIELECTRIC: ULTEM 1000, ASTM D5205
 KEL-F, ASTM D1430

PART NUMBER	Ø PIN	MAX PIN DEPTH	Ø A
2906-206-M09-PJ	.0090 ± .001	.065	.0431
2906-206-M12-PJ	.0120 ± .001	.065	.0483
2906-206-M20-PJ	.0200 ± .001	.080	.0705



REVISIONS				
REV.	DESCRIPTION	DISP	DATE	APPROVED
A1	-M20 MAX PIN DEPTH .08 WAS .065	IMP	5/7/21	JL
A	RELEASE	NEW	1/20/21	FSH

Material:
SEE NOTES

Finish:
SEE TABLE

UNLESS OTHERWISE SPECIFIED:
ALL DIMENSIONS ARE IN INCHES.
ALL DIMENSIONS ARE AFTER PLATING.

XXX = ±.005 ALL MACHINED SURFACES ⁶³ MAX.
 .XX = ±.01 ANG. ±1/2° FRACTIONAL = ± 1/64

Ⓢ .004 MAX TIR. Ⓢ AXIS .001

Projection Method:
THIRD ANGLE

REMOVE ALL BURRS AND SHARP EDGES
.005 MAX

This drawing and any information or descriptive material set out on it are the confidential and copyright property of SAN-TRON, INC. © and MUST NOT BE DISCLOSED, COPIED, LOANED in whole or part or used for any purpose without the written permission of SAN-TRON, INC.

Company Confidential

Legal Owner:
SAN-TRON, INC.
4 TURNPIKE ROAD, IPSWICH MA USA 01938
TEL: 978-356-1585 FAX: 978-356-1573
WWW.santron.com EMAIL: santron@santron.com

REF: CAGE CODE: **50896** Sheet: 1 of 1

Description:
2.92 JACK (FEMALE)
1/2" SQ FLANGE

Designed by: ST Drawn Date: 2/17/2020

Checked by: Checked Date:

Approved by: FSH Approved Date: 1/20/2021