

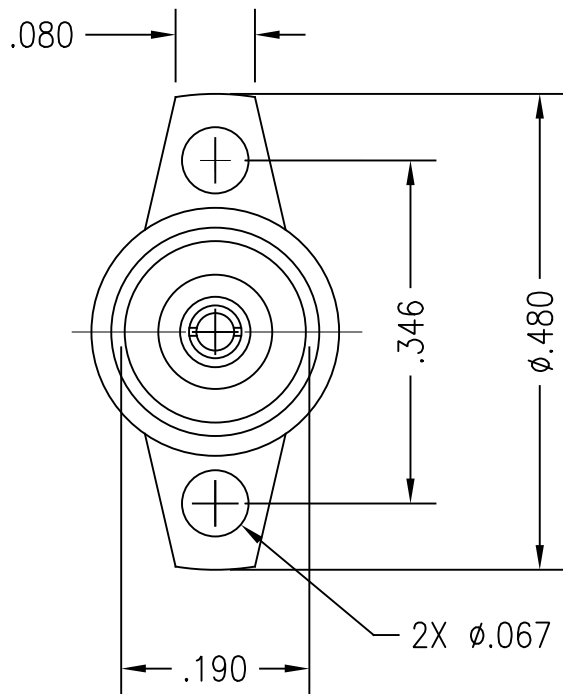
- 1.0 PERFORMANCE: (sea level)
 1.1 FREQUENCY RANGE DC-40 GHz
 1.2 VSWR: VSWR<1.07 (DC-12 GHz) ~1.04 EA
 < 1.40 (40 GHz) ~1.18 EA
 (2-CONNECTORS PLUS GLASS BEAD)
 1.3 SYSTEM IMPEDANCE 50 OHMS
 1.4 DWV: 300 Vrms @ 60 Hz
 1.5 TEMP RANGE: -65 / +85°C
 SHORT TERM: +160°C, 1-HR

- 2.0 MATERIALS
 2.1 SOCKET CONTACT: BeCu
 2.2 BODY: SS-303
 2.3 INSULATOR: DELRIN
 3.0 FINISHES: SEE TABLE

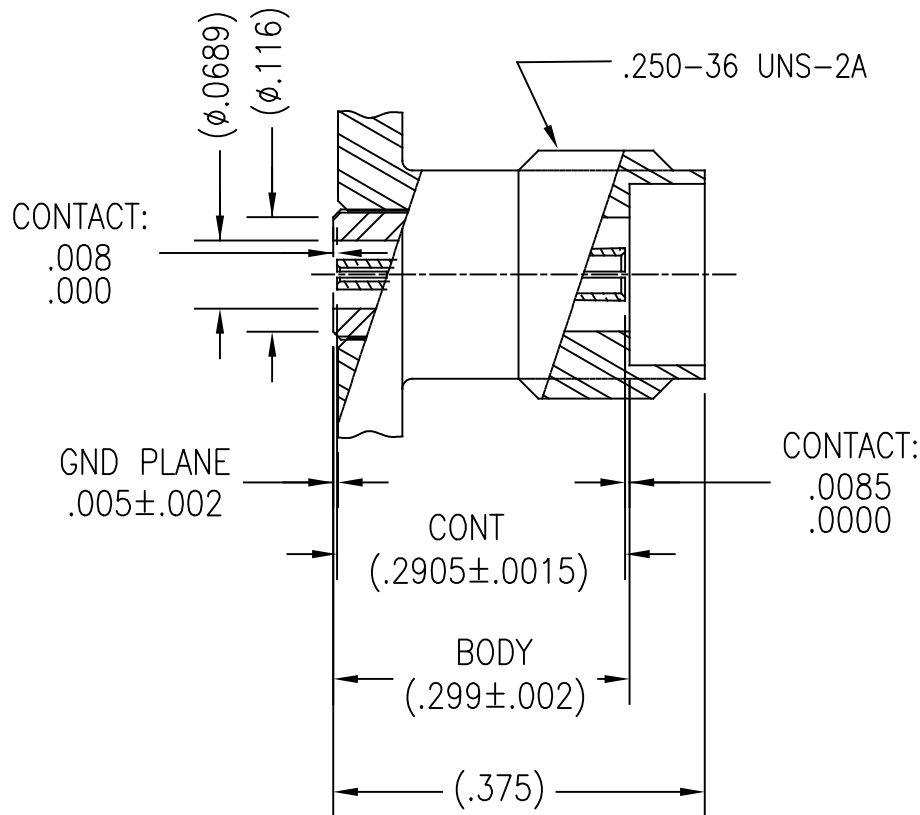
- 4.0 MECHANICAL
 4.1 INTERFACE REF MIL-STD-348
 4.2 CONTACT RETENTION 6 LBS AXIAL
 4.3 CONTACT TORQUE RETENTION: N/A
 4.4 DURABILITY: 500 CYCLES
 4.5 FR.012 x .075 max DEEP

DWG NO. OL-2906-06-1		REV. A
PART NUMBER 2906-06-PJ	BODY PASSIVATE	CONTACT Au/Ni

PLATING PER SAN-TRON SPEC. 7.3.1-8



2906-06-PJ



THIS DRAWING CONTAINS CONFIDENTIAL INFORMATION PROPRIETARY TO SAN-TRON, INC. IT MUST NOT BE REPRODUCED OR DISCLOSED TO OTHERS OR USED IN ANY OTHER WAY, IN WHOLE OR PART EXCEPT AS AUTHORIZED IN WRITING BY SAN-TRON, INC.

UNLESS OTHERWISE SPECIFIED:
 ALL DIMENSIONS ARE IN INCHES.
 ALL DIMENSIONS ARE AFTER PLATING.
 .XXX = ±.005 ALL MACHINED SURFACES ⁶⁴ MAX.
 .XX = ±.01 ANG. ±1/2° FRACTIONAL = ±1/64
 ◎ .004 MAX. TIR. ⊥ AXIS .001



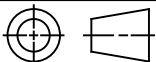
SAN-TRON, INC.

4 NEWBURYPORT TPK. IPSWICH MA USA 01938
 TEL: 978 - 356 -1585 FAX: 978 - 356 -1573
 WWW.santron.com E MAIL: santron@santron.com

TITLE 2,92 PANEL RECEPTACLE SERIES
 GROUND PLANE, FIELD REPLACEABLE .012 PIN

MATERIAL: SS-303, DELRIN, BeCu FINISH: SEE TABLE

CAGE CODE: 50896 DWG NO. OL-2906-06-1 REV. A
 SCALE X:X



THIRD ANGLE PROJECTION

DWN	ST	3/24/20
CHKD		
APPR	ST	3/24/20

DO NOT SCALE DRAWING

Rev.	Revisions	Disp.	Date	Dwn.	Appd.
A	OUTLINE RELEASE	NEW	3/24/20		
Ref.:	REMOVE ALL BURRS AND SHARP EDGES .005 MAX.	INTERPRET PER ASME Y14.5M-1994			
SK-					