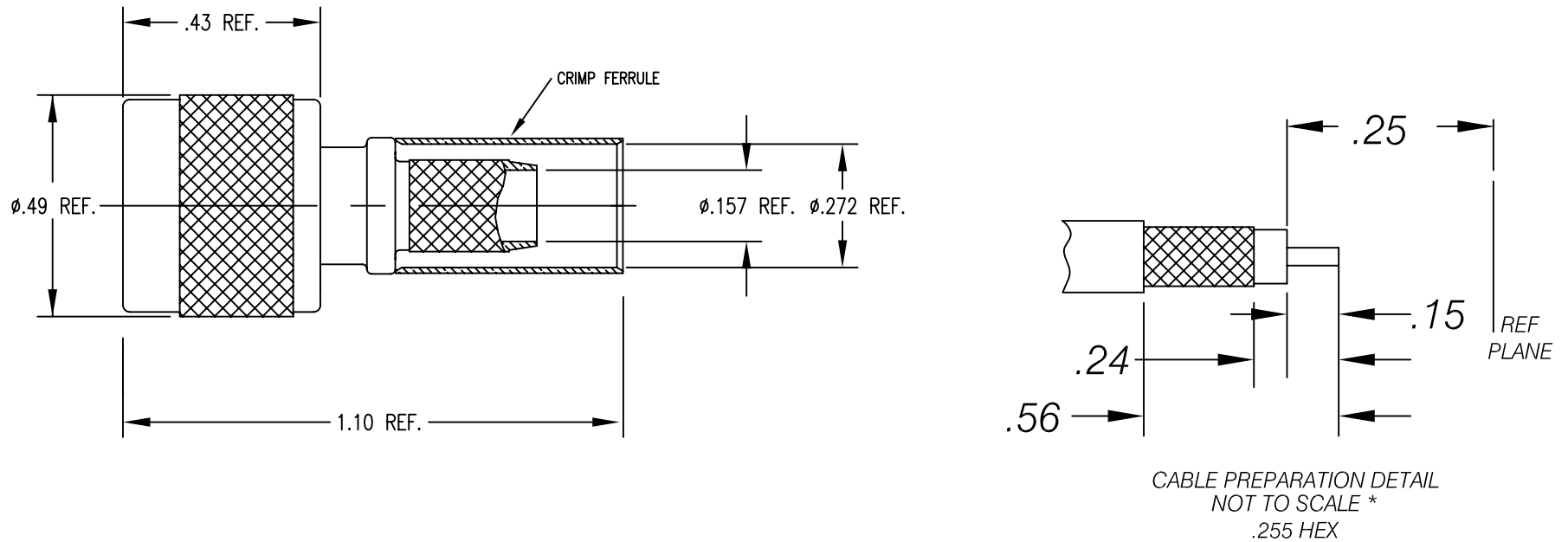


- 1.0 PERFORMANCE
- 1.1 FREQUENCY RANGE: DC-2.5 GHz
- 1.2 NOMINAL IMPEDANCE: 50 OHMS
- 1.3 VOLTAGE RATING: 335V (SEA LEVEL)
- 1.4 TEMPERATURE RANGE: -55°C TO +85°C
- 2.0 MATERIALS:
- 2.1 DIELECTRIC: PTFE
- 2.2 CENTER CONTACT: BRASS
- 2.3 CRIMP FERRULE: DHP SOFT COPPER, CDA 122, SOFT TEMPER
- 2.4 LOCKING RING: PHOSPHOR BRONZE
- 2.5 OTHER METAL PARTS: BRASS
- 3.0. FINISHES:
- 3.1 CENTER CONTACT: GOLD PLATED
- 3.2 ALL OTHER METAL PARTS: SILVER PLATED
- 4.0 MECHANICAL
- 4.1 INTERFACE: IN ACCORDANCE WITH: STANDARD 169-34 IEC

DO NOT SCALE DRAWING



| Rev. | Revisions | Disp. | Date | Dwn. | Appd. |
|-------------------|---|----------|---------|--|--------------------------------|
| C | UPDATED STRIP DIMS, CRIMP SIZE, REMOVED STAMP | NEW | 3/17/08 | JTH | FSH |
| B | REVISED: VOLTAGE, TEMP RANGE, FERRULE I.D., STRIP DIMS. | NEW | 7/31/03 | LAP | FSH |
| A | ORIGINAL (DRAFT) | | 6/30/03 | | |
| RECOM. STOCK SIZE | | FT/M PCS | Ref. SK | REMOVE ALL BURRS AND SHARP EDGES .005 MAX. | INTERPRET PER ASME Y14.5M-1994 |

THIS DRAWING CONTAINS CONFIDENTIAL INFORMATION PROPRIETARY TO SAN-TRON INC. IT MUST NOT BE REPRODUCED OR DISCLOSED TO OTHERS OR USED IN ANY OTHER WAY, IN WHOLE OR PART EXCEPT AS AUTHORIZED IN WRITING BY SAN-TRON INCORPORATED.

UNLESS OTHERWISE SPECIFIED:
ALL DIMENSIONS ARE IN INCHES.
ALL DIMENSIONS ARE AFTER PLATING.
.XXX= ±.005 ALL MACHINED SURFACES \sqrt{R} MAX.
.XX= ±.01 ANG.±1/2° FRACTIONAL= ±1/64
⓪.004 MAX. TIR ⊥ AXIS .001

THIRD ANGLE PROJECTION

| | | |
|------|-----|----------|
| DWN | LAP | 06/30/03 |
| CHKD | SJS | 7/31/03 |
| APPR | FSH | 7/31/03 |

SAN-TRON, INC.
4 NEWBURYPORT TPK. IPSWICH MA USA 01938
TEL: 978 - 356 -1585 FAX: 978 - 356 -1573
WWW. santron.com E MAIL: santron@santron.com

TITLE: TYPE MINI-UHF PLUG, STRAIGHT, FOR SFT-205 CABLE

| | |
|------------------------|----------------------|
| MATERIAL: SEE NOTE 2.0 | FINISH: SEE NOTE 3.0 |
| CAGE CODE: 50896 | DWG NO. OL-2801-01-1 |
| SCALE: X:X | REV. C |