

DWG NO. OL-2103-01-1		REV. B
PART NUMBER 2103-01-AS	BODY ALBALOY	CONTACT SILVER

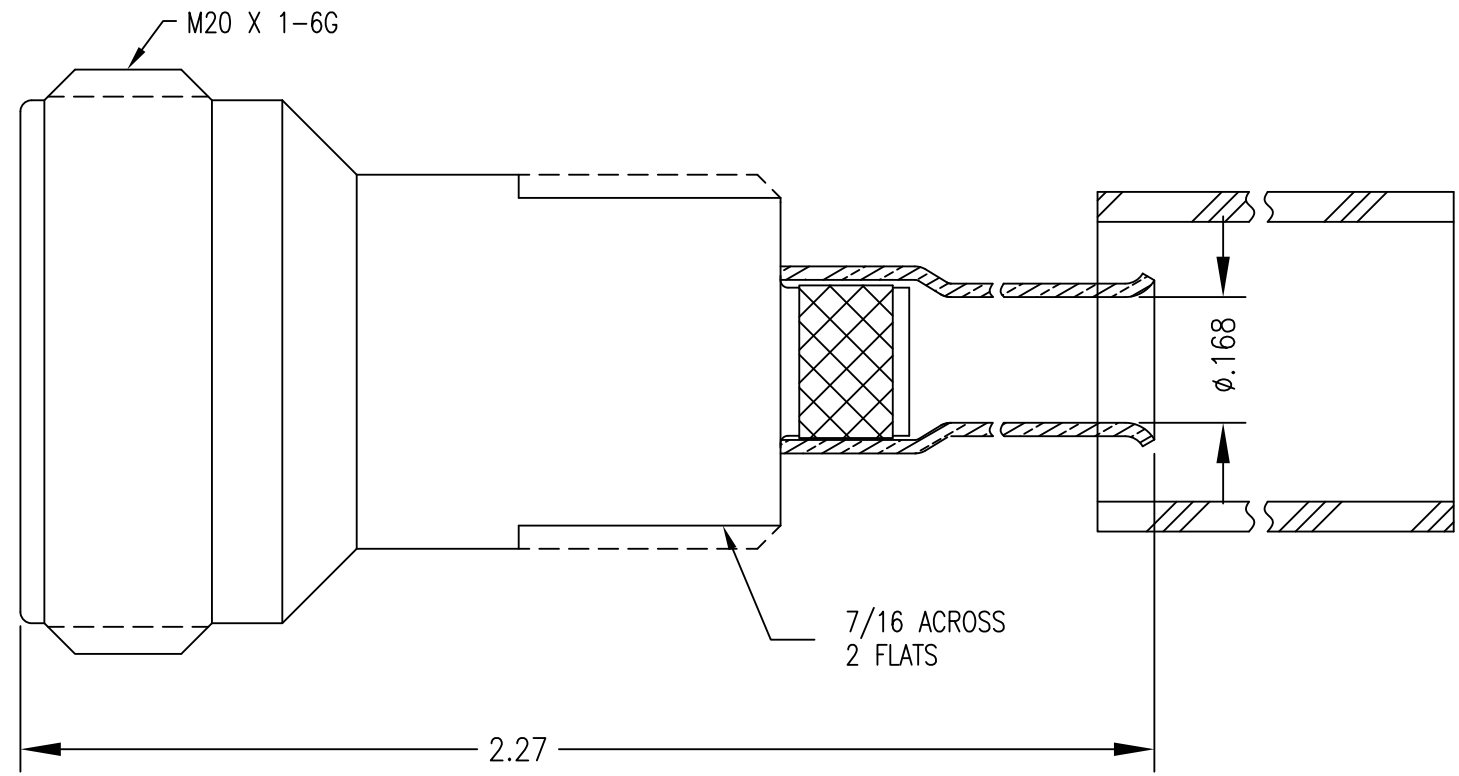
PLATING PER SAN-TRON SPEC. 7.3.1-8

- 1.0 PERFORMANCE
 1.1 FREQUENCY RANGE: DC-6 GHz
 1.2 NOMINAL IMPEDANCE: 50 OHMS
 1.3 DWV: 750 VRMS @ 60 Hz (SEA LEVEL)
 1.4 TEMPERATURE RANGE: -55°C TO +155°C
 1.5 PIM < -155dBc (+43dBm)

- 2.0 MATERIALS
 2.1 DIELECTRIC: PTFE
 2.2 CONTACT: BERYLLIUM COPPER
 2.3 BODY: BRASS
 2.4 CRIMP FERRULE: SOFT COPPER
 2.5 HEAT SHRINK: ATUM

- 3.0 FINISHES: SEE TABLE
 4.0 MECHANICAL
 4.1 INTERFACE PER IEC 60169-11
 4.2 CONTACT RETENTION: DESTRUCTIVE TEST
 18 LBS (80 N) MAX, .010 DISPLACEMENT
 4.3 CABLE ASSEMBLY PER STI CA-9967 SRX 141

DO NOT SCALE DRAWING



Rev.	Revisions	Disp.	Date	Dwn.	Appd.
B	ADD PIM SPECIFICATION	FIFO	12/31/13	FSH	FSH
A	ORIGINAL	NEW	8/5/13		
Ref.: BRM20812		REMOVE ALL BURRS AND SHARP EDGES .005 MAX.		INTERPRET PER ASME Y14.5M-1994	

THIS DRAWING CONTAINS CONFIDENTIAL INFORMATION PROPRIETARY TO SAN-TRON, INC. IT MUST NOT BE REPRODUCED OR DISCLOSED TO OTHERS OR USED IN ANY OTHER WAY, IN WHOLE OR PART EXCEPT AS AUTHORIZED IN WRITING BY SAN-TRON, INC.

UNLESS OTHERWISE SPECIFIED:
 ALL DIMENSIONS ARE IN INCHES.
 ALL DIMENSIONS ARE AFTER PLATING.
 .XXX = ±.005 ALL MACHINED SURFACES $\frac{32}{\sqrt{\text{MAX.}}}$
 .XX = ±.01 ANG. ±1/2° FRACTIONAL = ±1/64
 ◎.004 MAX. TIR. ⊥ AXIS .001

THIRD ANGLE PROJECTION

DWN	PRS	8/1/13
CHKD	FSH	8/2/13
APPR	FSH	8/2/13

SAN-TRON, INC.
 4 NEWBURYPORT TPK. IPSWICH MA USA 01938
 TEL: 978 - 356 -1585 FAX: 978 - 356 -1573
 WWW.SANTRON.COM E MAIL: SANTRON@SANTRON.COM

TITLE e4.1/9.5 JACK, STRAIGHT FOR SRX-141

MATERIAL: FINISH: SEE TABLE

CAGE CODE: 50896 DWG NO. OL-2103-01-1 REV. B

SCALE X:X