

| | | |
|---------------------------|-----------------|-------------------|
| DWG NO. OL-2101-01-1 | | REV. B |
| PART NUMBER 2101-01-AS | BODY ALBALOY | CONTACT SILVER |

1.0 PERFORMANCE

- 1.1 FREQUENCY RANGE: DC-6 GHz
- 1.2 NOMINAL IMPEDANCE: 50 OHMS
- 1.3 DWV: 750 VRMS @ 60 Hz (SEA LEVEL)
- 1.4 TEMPERATURE RANGE: -55°C TO +155°C
- 1.5 PIM < -155 dBc (+43dBm)

2.0 MATERIALS

- 2.1 DIELECTRIC: PTFE
- 2.2 CONTACT: BERYLLIUM COPPER
- 2.3 CRIMP FERRULE: SOFT COPPER
- 2.4 OTHER METAL PARTS: BRASS
- 2.5 HEAT SHRINK: ATUM
- 2.6 O-RING: SILICONE RUBBER

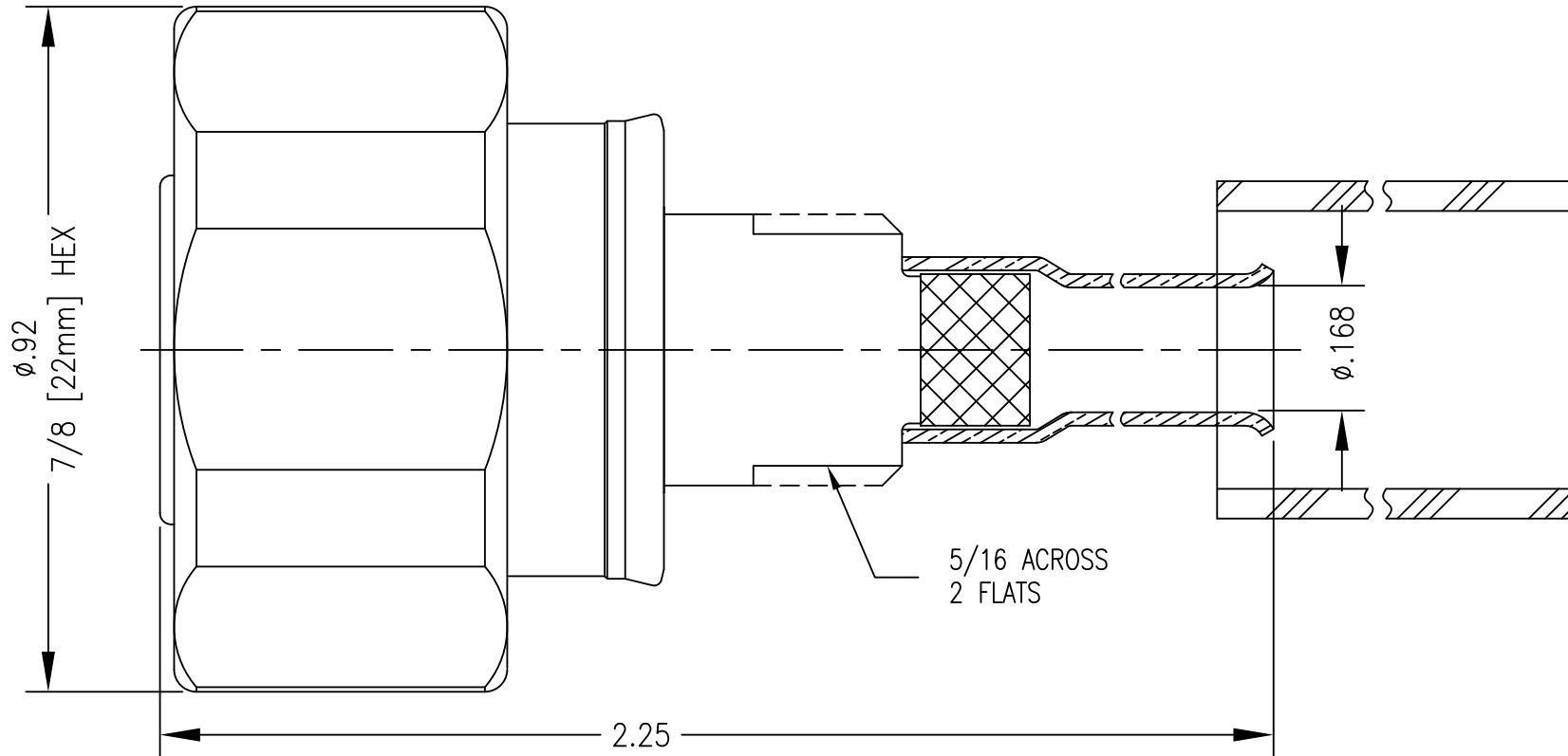
3.0 FINISHES: SEE TABLE

4.0 MECHANICAL

- 4.1 INTERFACE PER IEC 60169-11
- 4.2 CONTACT RETENTION: DESTRUCTIVE TEST
18 LBS (80 N) MAX, .010 DISPLACEMENT
- 4.3 CABLE ASSEMBLY PER STI CA-9967 SRX 141

PLATING PER SAN-TRON SPEC. 7.3.1-8

DO NOT SCALE DRAWING



| | | | | | |
|------|-----------------------|-------|----------|------|-------|
| Rev. | Revisions | Disp. | Date | Dwn. | Appd. |
| B | ADD PIM SPECIFICATION | NEW | 12/31/13 | FSH | FSH |
| A | ORIGINAL | NEW | 8/8/13 | | |


| | | |
|----------------|--|--------------------------------|
| Ref.: BRM20811 | REMOVE ALL BURRS AND SHARP EDGES .005 MAX. | INTERPRET PER ASME Y14.5M-1994 |
|----------------|--|--------------------------------|

THIS DRAWING CONTAINS CONFIDENTIAL INFORMATION PROPRIETARY TO SAN-TRON, INC. IT MUST NOT BE REPRODUCED OR DISCLOSED TO OTHERS OR USED IN ANY OTHER WAY, IN WHOLE OR PART EXCEPT AS AUTHORIZED IN WRITING BY SAN-TRON, INC.

UNLESS OTHERWISE SPECIFIED:
ALL DIMENSIONS ARE IN INCHES.
ALL DIMENSIONS ARE AFTER PLATING.
.XXX = ±.005 ALL MACHINED SURFACES ³²/ MAX.
.XX = ±.01 ANG. ±1/2° FRACTIONAL = ±1/64
◎.004 MAX. TIR. ⊥ AXIS .001

THIRD ANGLE PROJECTION

| | | |
|------|-----|--------|
| DWN | PRS | 8/8/13 |
| CHKD | FSH | 8/8/13 |
| APPR | FSH | 8/8/13 |



SAN-TRON, INC.
4 NEWBURYPORT TPK. IPSWICH MA USA 01938
TEL: 978 - 356 -1585 FAX: 978 - 356 -1573
WWW.santron.com E MAIL: santron@santron.com

TITLE e4.1/9.5 PLUG, STRAIGHT FOR SRX-141

MATERIAL: SEE NOTES FINISH: SEE TABLE

CAGE CODE: 50896 DWG NO. OL-2101-01-1 REV. B

SCALE X:X