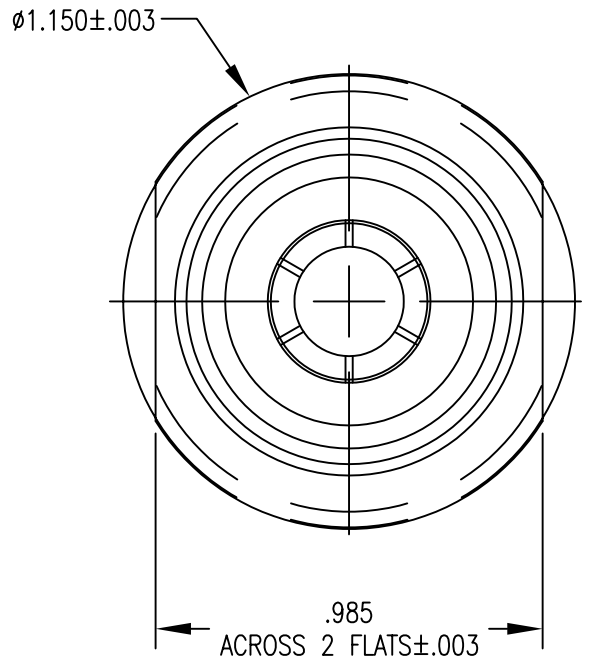
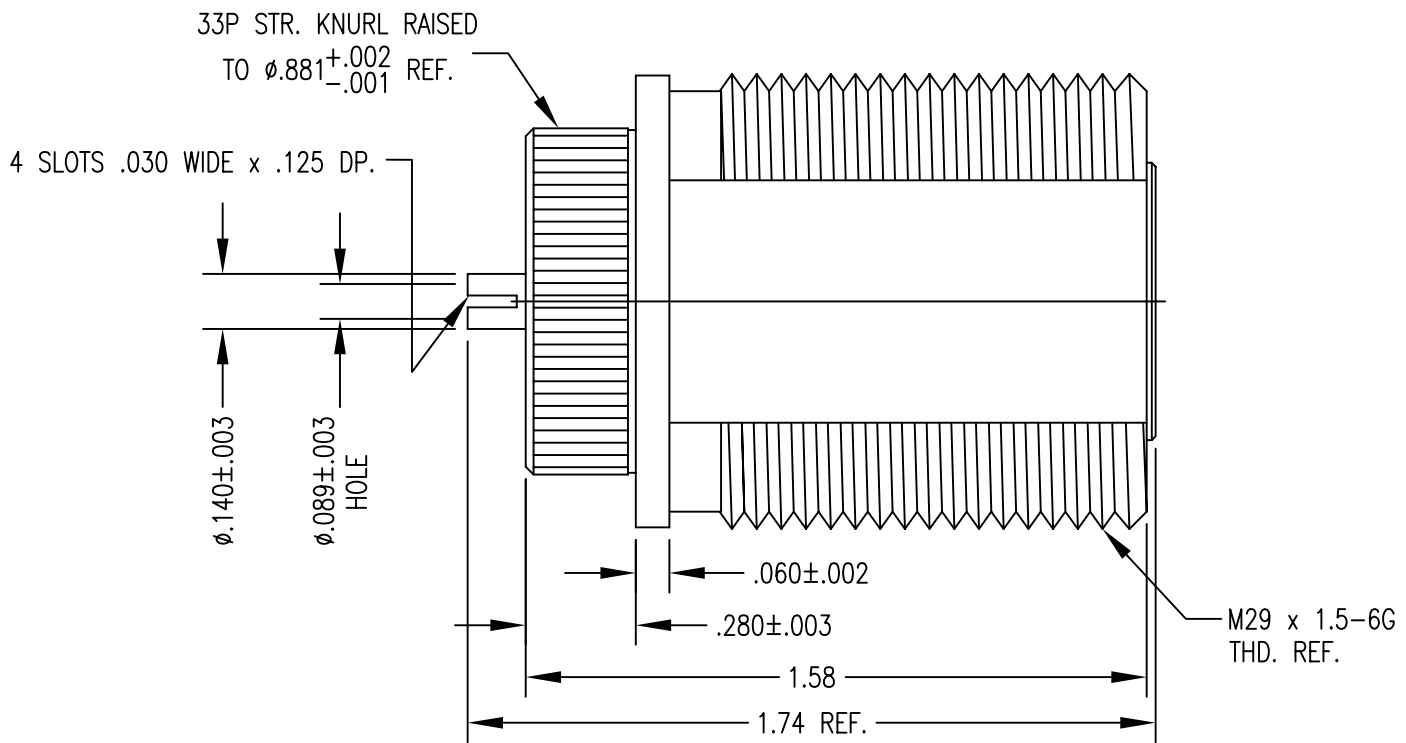


- 1.0 PERFORMANCE
- 1.1 FREQUENCY RANGE: DC-7.5GHz
- 1.2 VOLTAGE RATING: 2700V RMS (sea level)
- 1.3 NOMINAL IMPEDANCE: 50 OHMS
- 1.4 DWV: 4000 V RMS @ 60 Hz (sea level)
- 1.5 TEMPERATURE RANGE: -65°C TO +165°C
- 1.6 INSULATION RESISTANCE: 10000 MEGOHMS MIN.
- 2.0 MATERIALS

- 2.1 CENTER CONTACT: PHOSPHOR BRONZE, ASTM-B-139, ALLOY B2
- 2.2 DIELECTRICS: TEFLON, ASTM-D-1710
- 2.3 ALL OTHER METAL PARTS: BRASS, ASTM-B-16
- 3.0 FINISHES
- 3.1 CENTER CONTACT: SILVER PLATED
- 3.2 ALL OTHER METAL PARTS: SILVER PLATED
- 4.0 MECHANICAL
- 4.1 INTERFACE: IN ACCORDANCE WITH IEC 169-4

DWG NO.	OL-1907-07-1		REV.	F
PLATING VARIATIONS				
PART NUMBER	BODY	CONTACT		
1907-07	SILVER	SILVER		
1907-07-AS	ALBALOY	SILVER		
1907-07-BS	ALBALOY/ SILVER	SILVER		

DO NOT SCALE DRAWING



Rev.	Revisions	Disp.	Date	Dwn.	Appd.
F	INCREASE FLANGE THK TO $.060 \pm .002$ PER CUSTOMER REQ.		6/16/06	DVP	DVP
E	ADD -BS		12/7/04	FSH	FSH
D	WAS 1.75		01/15/04	DT	FSH
A	ORIGINAL	NEW	01/10/02		


THIS DRAWING CONTAINS CONFIDENTIAL INFORMATION PROPRIETARY TO SAN-TRON INC. IT MUST NOT BE REPRODUCED OR DISCLOSED TO OTHERS OR USED IN ANY OTHER WAY, IN WHOLE OR PART EXCEPT AS AUTHORIZED IN WRITING BY SAN-TRON INCORPORATED.

UNLESS OTHERWISE SPECIFIED:
ALL DIMENSIONS ARE IN INCHES.
ALL DIMENSIONS ARE AFTER PLATING.
.XXX = $\pm .005$ ALL MACHINED SURFACES $\sqrt{63}$ MAX.
.XX = $\pm .01$ ANG. $\pm 1/2^\circ$ FRACTIONAL = $\pm 1/64$

$\textcircled{0.004}$ MAX. TIR. \perp AXIS .001

THIRD ANGLE PROJECTION

DWN	JMB	12/28/01
CHKD	JO	01/03/02
APPR	JO	01/03/02



SAN-TRON, INC.
4 NEWBURYPORT TPK. IPSWICH MA USA 01938
TEL: 978 - 356 - 1585 FAX: 978 - 356 - 1573
WWW.santron.com E MAIL: santron@santron.com

TITLE **7/16 RECEPTACLE, FEMALE STRAIGHT, PRESS FIT MOUNT**

MATERIAL: SEE NOTE 2.0 FINISH: SEE NOTE 3.0

CAGE CODE: 50896 DWG NO. OL-1907-07-1 REV. F

SCALE X:X