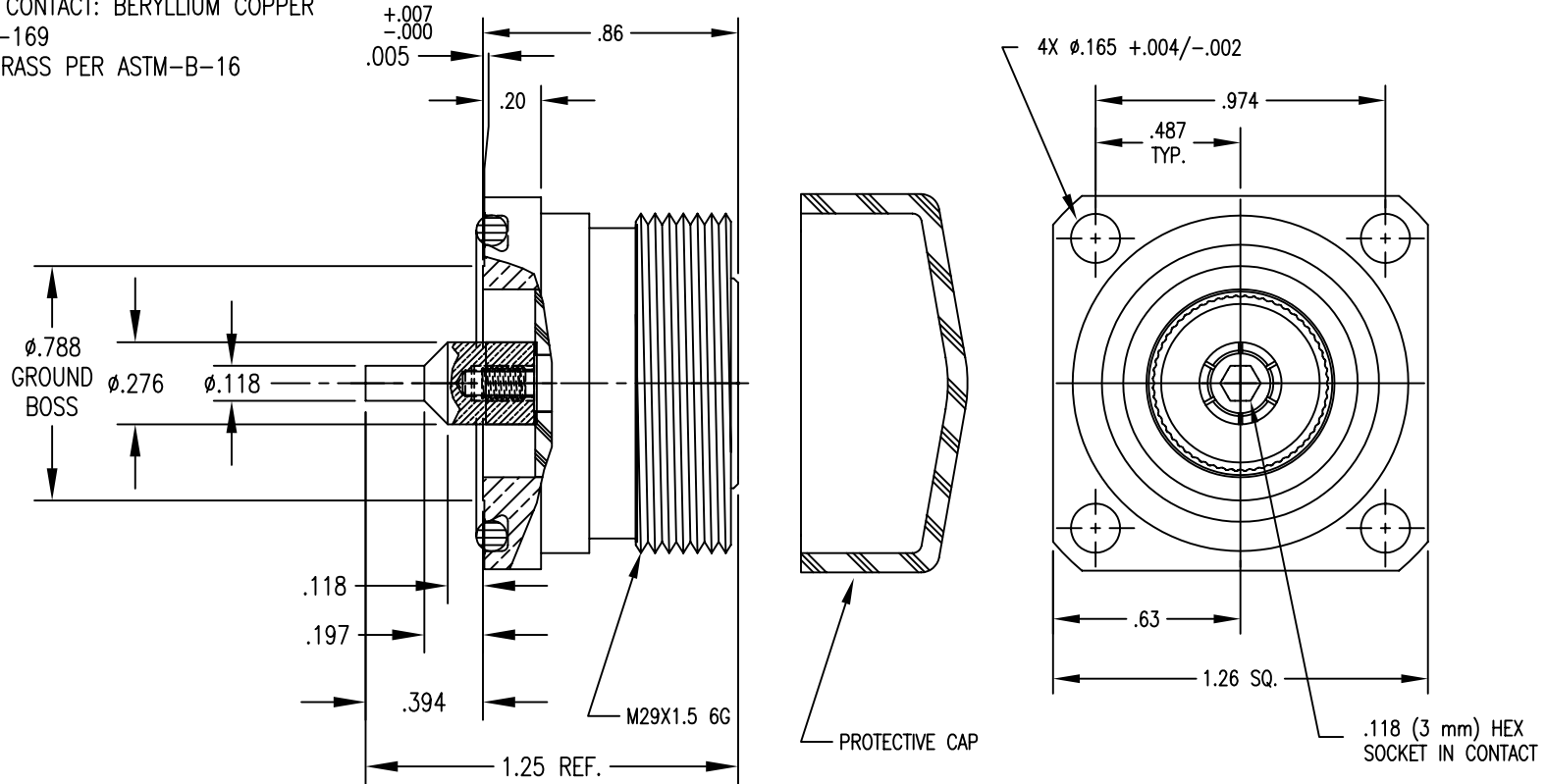


DWG NO.	OL-1906-41-1		REV.	A
PLATING VARIATIONS				
PART NUMBER	BODY	CONTACT/POST		
1906-41-AS	ALBALOY	SILVER		

- 1.0 PERFORMANCE
- 1.1 FREQUENCY RANGE: DC-7.5GHz
- 1.2 VOLTAGE RATING: 2700V RMS (sea level)
- 1.3 NOMINAL IMPEDANCE: 50 OHMS
- 1.4 DWV: 4000 V RMS @ 60 Hz (sea level)
- 1.5 TEMPERATURE RANGE: -55° C TO +155° C
- 1.6 INSULATION RESISTANCE: 10,000 MEGOHMS MIN.
- 2.0 MATERIALS
- 2.1 DIELECTRICS: TEFLON, ASTM-D-1710
- 2.2 CENTER CONTACT: BERYLLIUM COPPER
ASTM-B-169
- 2.3 BODY: BRASS PER ASTM-B-16

- 2.4 POST CONDUCTOR: BRASS PER ASTM-B-16
- 2.5 O-RING: SILICONE RUBBER, ZZR-765, GR. 70
- 3.0 FINISHES
- 3.1 CENTER CONTACT, POST: SEE TABLE
- 3.2 BODY: SEE TABLE
- 4.0 MECHANICAL
- 4.1 TORQUE: CENTER CONTACT MUST NOT ROTATE
WHEN 3 OZ*IN MIN. OF TORQUE IS APPLIED.
- 4.2 INTERFACE IN ACCORDANCE WITH IEC 169-4



DO NOT SCALE DRAWING

A	ORIGINAL		NEW	12/20/05			
Rev.	Revisions	Ref.:	Disp.	Date	Dwn.	Appd.	
		REMOVE ALL BURRS AND SHARP EDGES .005 MAX.			INTERPRET PER ASME Y14.5M-1994		

THIS DRAWING CONTAINS CONFIDENTIAL INFORMATION PROPRIETARY TO SAN-TRON INC. IT MUST NOT BE REPRODUCED OR DISCLOSED TO OTHERS OR USED IN ANY OTHER WAY, IN WHOLE OR PART EXCEPT AS AUTHORIZED IN WRITING BY SAN-TRON INCORPORATED.

UNLESS OTHERWISE SPECIFIED:
ALL DIMENSIONS ARE IN INCHES.
ALL DIMENSIONS ARE AFTER PLATING.
.XXX= ±.005 ALL MACHINED SURFACES 32/ MAX.
.XX= ±.01 ANG.±1/2° FRACTIONAL= ±1/64
◎.004 MAX. TIR. ⊥ AXIS .001

SAN-TRON, INC.
4 NEWBURYPORT TPK. IPSWICH MA USA 01938
TEL: 978 - 356 -1585 FAX: 978 - 356 -1573
WWW. santron.com E MAIL: santron@santron.com

TITLE 7/16 PANEL RECEPTACLE, STRAIGHT FEMALE, EXTENDED POST

MATERIAL: SEE NOTES FINISH: SEE NOTES

CAGE CODE: 50896 DWG NO. OL-1906-41-1 REV. A

SCALE X:X

