

- 1.0 PERFORMANCE: (sea level)
- 1.1 FREQUENCY RANGE DC-18 GHz
- 1.2 VSWR < 1.07 + .015F
- 1.3 SYSTEM IMPEDANCE 50 OHMS
- 1.4 DWV: 300 Vrms @ 60 Hz
- 1.5 TEMP RANGE: -65 / +149°C
- 1.6 PRESSURIZED: 15 PSIG

- 2.0 MATERIALS
- 2.1 SOCKET CONTACT: BeCu
- 2.2 BODY: SS-303
- 2.3 INSULATOR: PSU1000
- 2.4 POST CONTACT: BRASS
- 2.5 POST INSULATOR: PTFE
- 3.0 FINISHES: SEE TABLE

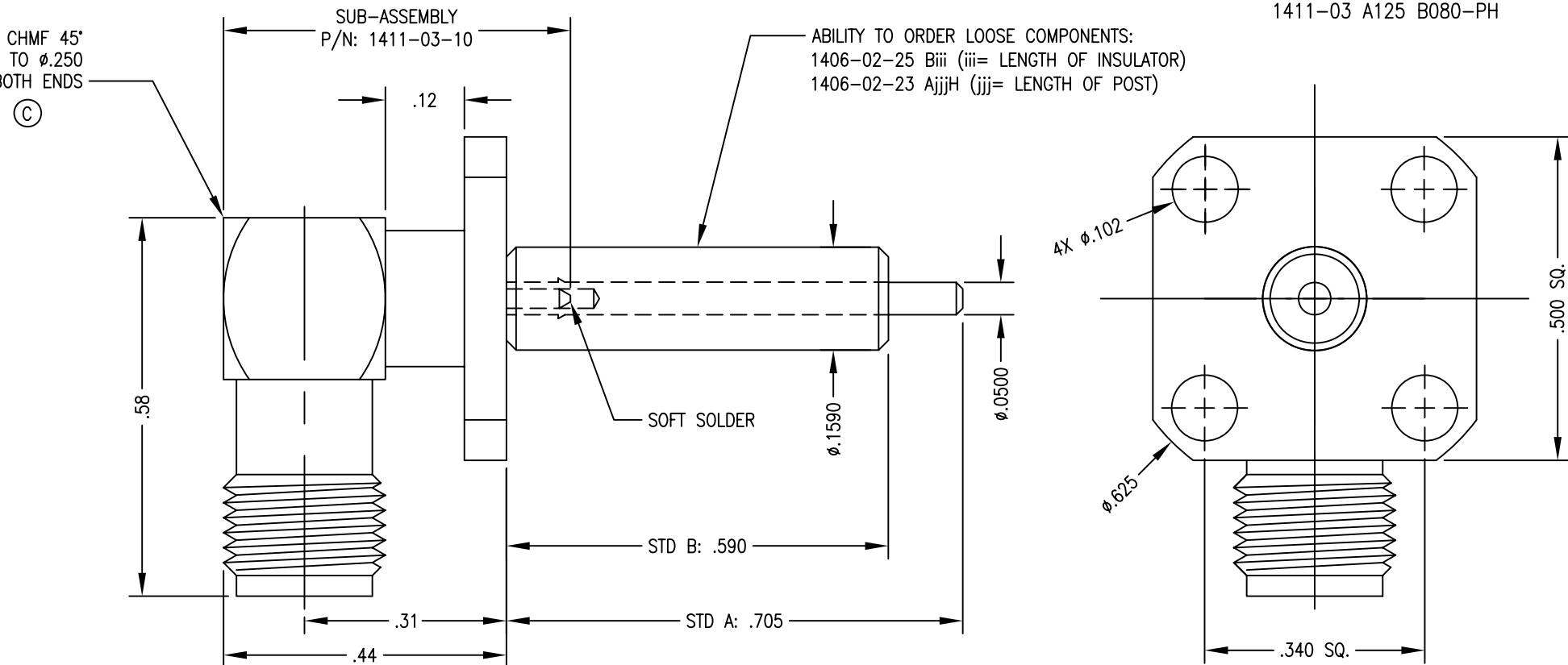
- 4.0 MECHANICAL
- 4.1 INTERFACE REF STI #1200-00-1
- 4.2 CONTACT RETENTION 6 LBS AXIAL
- 4.3 CONTACT TORQUE RETENTION: 4 in/OZ.
- 4.4 DURABILITY: 500 CYCLES

DWG NO. OL-1411-03-1		REV. C
PART NUMBER 1411-03-PH	BODY PASSIVATE	CONTACT GOLD/Ni

PLATE PER STI 7.3.1-8

P/N's FOR MODIFIED LENGTHS:
SPECIFY SPECIAL LENGTHS AS
1411-03-PH (STD)
1411-03 A125 B000-PH
1411-03 A125 B080-PH

NOT SCALE DRAWING



Rev.	Revisions	Disp.	Date	Dwn.	Appd.
C	ADD "CHMF X 45° TO Ø.250, BOTH ENDS"	FIFO	6/2/11	RJG	FSH
B	ADD MODIFIED LENGTHS	NEW	2-11-11	FSH	FSH
A	ORIGINAL -RELEASE TO PRODUCTION	NEW	11/23/10		

Ref.: 1406-02-PH BRM16385 THRU BRM16388	REMOVE ALL BURRS AND SHARP EDGES .005 MAX.	INTERPRET PER ASME Y14.5M-1994
---	--	-----------------------------------

THIS DRAWING CONTAINS CONFIDENTIAL INFORMATION PROPRIETARY TO SAN-TRON, INC. IT MUST NOT BE REPRODUCED OR DISCLOSED TO OTHERS OR USED IN ANY OTHER WAY, IN WHOLE OR PART EXCEPT AS AUTHORIZED IN WRITING BY SAN-TRON, INC.

UNLESS OTHERWISE SPECIFIED:
ALL DIMENSIONS ARE IN INCHES.
ALL DIMENSIONS ARE AFTER PLATING.
.XXX = ±.005 ALL MACHINED SURFACES $\sqrt{64}$ MAX.
.XX = ±.01 ANG. ±1/2° FRACTIONAL = ±1/64
Ⓢ.004 MAX. TIR. ⊥ AXIS .001

THIRD ANGLE PROJECTION

DWN	RJG	11/15/10
CHKD	SJS	11/29/10
APPR	FSH	//

SAN-TRON, INC.
 4 NEWBURYPORT TPK. IPSWICH MA USA 01938
 TEL: 978-356-1585 FAX: 978-356-1573
 WWW.SANTRON.COM E MAIL: SANTRON@SANTRON.COM

TITLE SMA 3,50MM PANEL RECEPTACLE PRESSURIZED S350-PRH 4H

MATERIAL: ** FINISH: SEE TABLE

CAGE CODE: 50896 DWG NO. OL-1411-03-1 REV. C

SCALE X:X