

- 1.0 PERFORMANCE: (sea level)
 1.1 FREQUENCY RANGE DC-26.5 GHz
 1.2 SYSTEM IMPEDANCE 50 OHMS
 1.3 DWV: 300 Vrms @ 60 Hz
 1.4 TEMP RANGE: -65 / +149°C
 1.5 PRESSURIZED: 15 PSIG

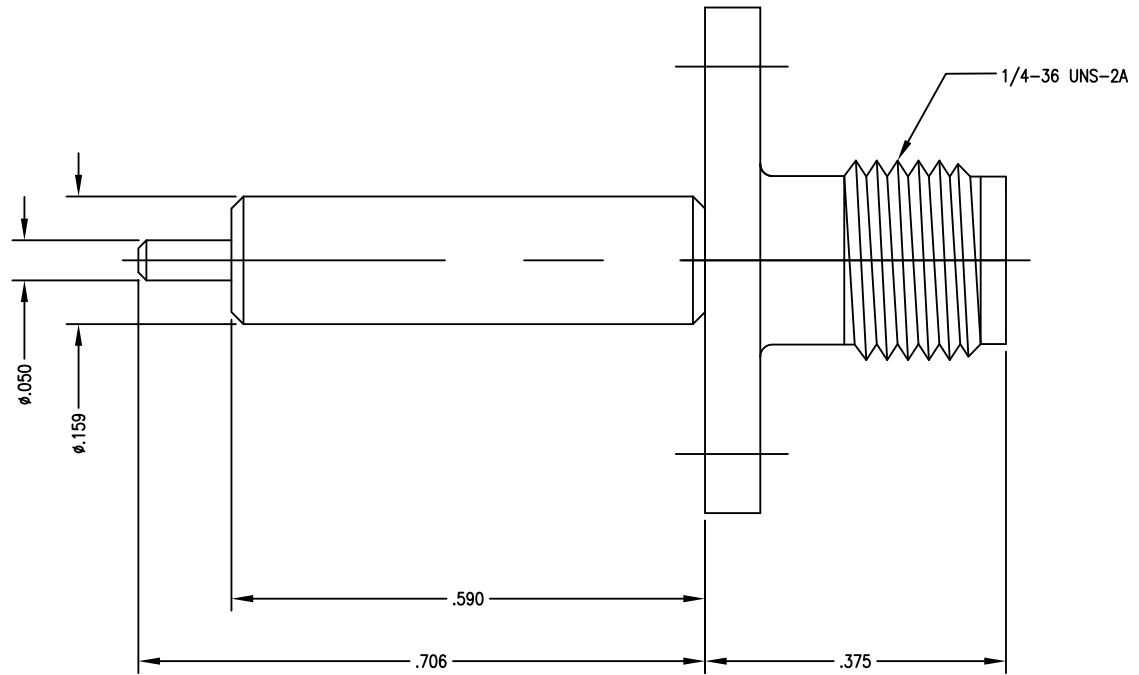
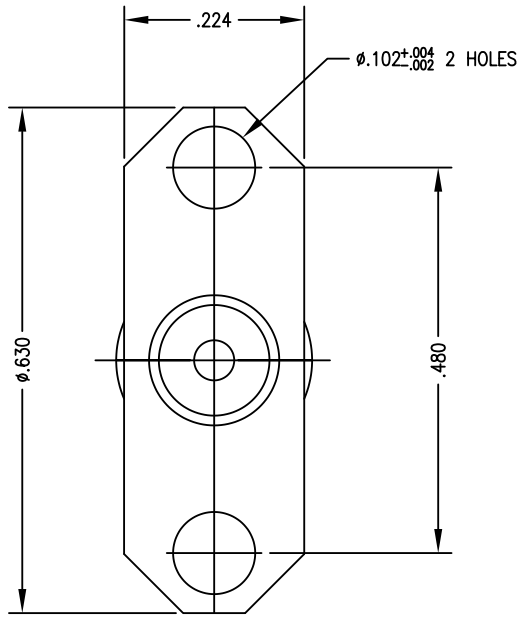
- 2.0 MATERIALS
 2.1 SOCKET CONTACT: BeCu
 2.2 BODY: SS-303
 2.3 INSULATOR: PSU1000
 2.4 POST CONTACT: BRASS
 2.5 POST INSULATOR: PTFE

3.0 FINISHES: SEE TABLE

- 4.0 MECHANICAL
 4.1 INTERFACE REF MIL-STD-348
 4.2 CONTACT RETENTION 6 LBS AXIAL
 4.3 CONTACT TORQUE RETENTION: N/A
 4.4 DURABILITY: 500 CYCLES

DWG NO. OL-1406-02-1		REV. A
PART NUMBER 1406-02-PH	BODY PASSIVATE	CONTACT Au/Ni

PLATE PER STI 7.3.1-8



DO NOT SCALE DRAWING

THIS DRAWING CONTAINS CONFIDENTIAL INFORMATION PROPRIETARY TO SAN-TRON, INC. IT MUST NOT BE REPRODUCED OR DISCLOSED TO OTHERS OR USED IN ANY OTHER WAY, IN WHOLE OR PART EXCEPT AS AUTHORIZED IN WRITING BY SAN-TRON, INC.

UNLESS OTHERWISE SPECIFIED:
 ALL DIMENSIONS ARE IN INCHES.
 ALL DIMENSIONS ARE AFTER PLATING.
 .XXX = ±.005 ALL MACHINED SURFACES 63/ MAX.
 .XX = ±.01 ANG. ±1/2' FRACTIONAL = ±1/64

Ⓢ .004 MAX. TIR. ⊥ AXIS .001



SAN-TRON, INC.

4 NEWBURYPORT TPK. IPSWICH MA USA 01938

TEL: 978 - 356 -1585 FAX: 978 - 356 -1573

WWW.santron.com E MAIL: santron@santron.com

TITLE SMA3,50 PANEL RECEPTACLE, FEMALE, FIELD REPLACIBLE Ø.020 x .080

MATERIAL: ss-303 DELRIN, BeCu

FINISH: SEE TABLE



THIRD ANGLE PROJECTION

DWN	FSH	8/20/09
CHKD	SJS	8/25/09
APPR	FSH	8/26/09

CAGE CODE: 50896

DWG NO.

OL-1406-02-1

REV. A

SCALE X:X

Rev.	Revisions	Disp.	Date	Dwn.	Appd.
A	RELEASE TO PRODUCTION	NEW	8/26/09		
Ref.:	REMOVE ALL BURRS AND SHARP EDGES .005 MAX.	INTERPRET PER ASME Y14.5M-1994			