

1.0 PERFORMANCE: (sea level)
 1.1 FREQUENCY RANGE DC-34 GHz
 1.2 SYSTEM IMPEDANCE 50 OHMS
 1.3 DWV: 300 Vrms @ 60 Hz
 1.4 TEMP RANGE: -65 / +85°C
 SHORT TERM TO +150°C

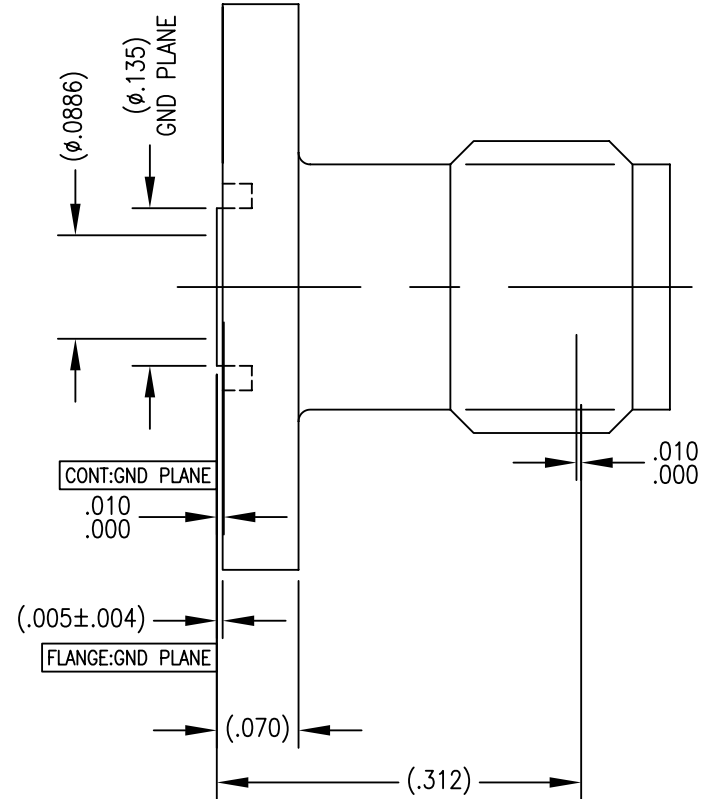
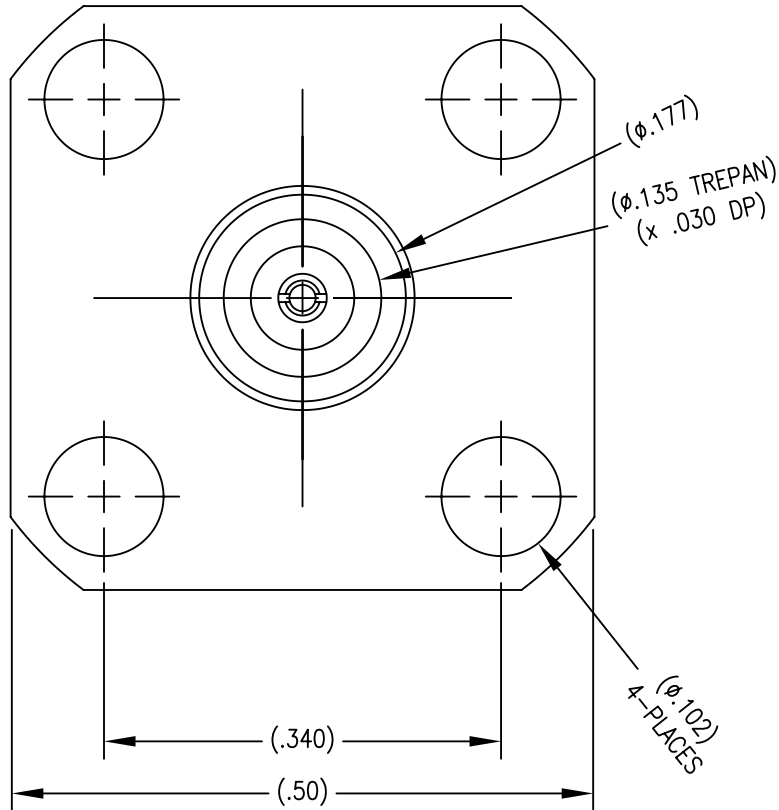
2.0 MATERIALS
 2.1 SOCKET CONTACT: BeCu
 2.2 BODY: SS-303
 2.3 INSULATOR: DELRIN
 3.0 FINISHES: SEE TABLE

4.0 MECHANICAL
 4.1 INTERFACE REF MIL-STD-348
 4.2 CONTACT RETENTION 6 LBS AXIAL
 4.3 CONTACT TORQUE RETENTION: N/A
 4.4 DURABILITY: 500 CYCLES

DWG NO. OL-1406-01-1		REV. A
PART NUMBER 1406-01-PJ	BODY PASSIVATE	CONTACT GOLD/Ni

PLATING PER SAN-TRON SPEC. 7.3.1-8

DO NOT SCALE DRAWING



Rev.	Revisions	Disp.	Date	Dwn.	Appd.
A	RELEASE TO PRODUCTION	NEW	8/26/09		
Ref.:	2906-11-PJ	REMOVE ALL BURRS AND SHARP EDGES .005 MAX.	INTERPRET PER ASME Y14.5M-1994		

THIS DRAWING CONTAINS CONFIDENTIAL INFORMATION PROPRIETARY TO SAN-TRON, INC. IT MUST NOT BE REPRODUCED OR DISCLOSED TO OTHERS OR USED IN ANY OTHER WAY, IN WHOLE OR PART EXCEPT AS AUTHORIZED IN WRITING BY SAN-TRON, INC.

UNLESS OTHERWISE SPECIFIED:
 ALL DIMENSIONS ARE IN INCHES.
 ALL DIMENSIONS ARE AFTER PLATING.
 .XXX = ±.005 ALL MACHINED SURFACES R_{63} MAX.
 .XX = ±.01 ANG. ±1/2° FRACTIONAL = ±1/64
 ◎.004 MAX. TIR. ⊥ AXIS .001

THIRD ANGLE PROJECTION

DWN	FSH	8/20/09
CHKD	SJS	8/25/09
APPR	FSH	8/26/09

SAN-TRON, INC.
 4 NEWBURYPORT TPK. IPSWICH MA USA 01938
 TEL: 978 - 356 -1585 FAX: 978 - 356 -1573
 WWW.SANTRON.COM E MAIL: santron@santron.com

TITLE SMA3,50 PANEL RECEPTACLE, FEMALE, FIELD REPLACIBLE ϕ .020 x .080

MATERIAL: ss-303 DELRIN, BeCu **FINISH:** SEE TABLE

CAGE CODE: 50896 **DWG NO.** OL-1406-01-1 **REV.** A

SCALE X:X