

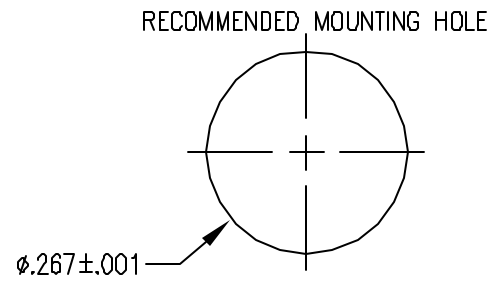
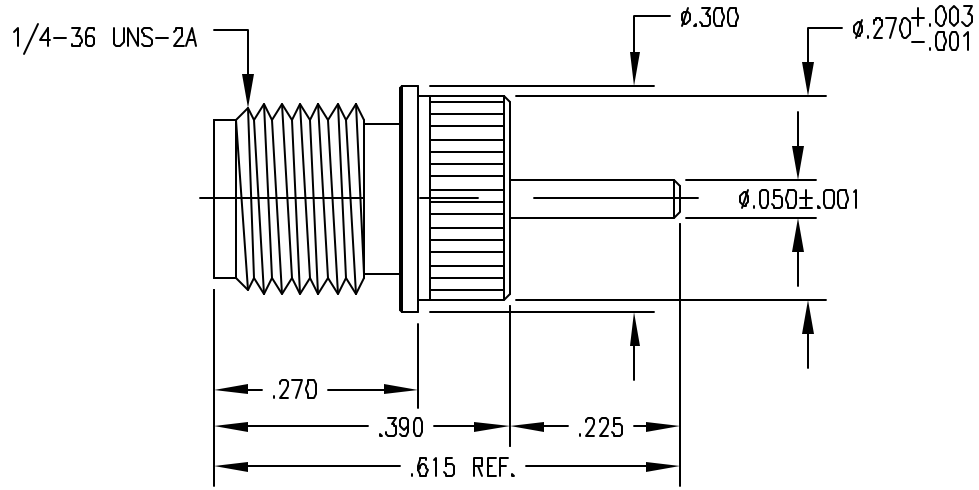
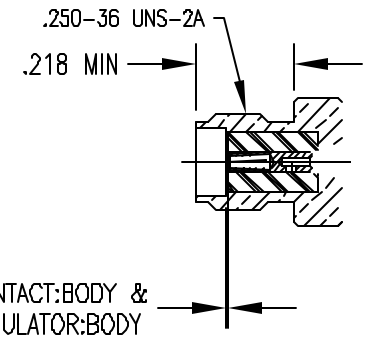
D O N O T S C A L E D R A W I N G

- 1.0 PERFORMANCE:
 1.1 FREQUENCY RANGE DC-18 GHz
 1.3 SYSTEM IMPEDANCE 50 OHMS
 1.4 DWV: 1500 Vrms @ 60 Hz (SEA LEVEL)
 1.5 VOLTAGE RATING: 500 Vrms (SEA LEVEL)
 1.6 TEMP RANGE: -65 / +165 °C

- 2.0 MATERIALS
 2.2 SOCKET CONTACT: BeCu
 2.4 OTHER METAL PARTS: BRASS
 2.5 INSULATOR: TEFLON
 3.0 FINISHES
 3.1 CONTACTS: MINIMUM PLATE OF
 .000030 GOLD OVER .000050 NICKEL OVER .000030 COPPER
 3.2 BODY & OTHER METAL PARTS: MINIMUM PLATE OF
 .000003 GOLD OVER .000050 NICKEL OVER .000030 COPPER

- 4.0 MECHANICAL
 4.1 INTERFACES PER MIL-STD-34B
 4.4 CONTACT RETENTION 6 LBS MIN. AXIAL
 4.5 INSULATOR RETENTION 6 LBS MIN. AXIAL
 4.6 DURABILITY: 100 CYCLES

DWG NO. OL-STI 1207-12-1 REV. A

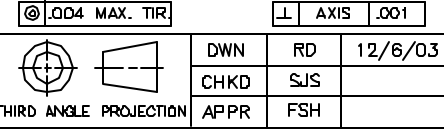


P/N: STI 1207-12-GG

Rev.	Revisions	Disp.	Date	Dwn.	Appd.
A	PRELIMINARY RELEASE	NEW	12/6/03		
RECOM. STOCK SIZE	FT/M PCS	Ref.:	REMOVE ALL BURRS AND SHARP EDGES .005 MAX.	INTERPRET PER ASME Y14.5M-1994	
		SK			

THIS DRAWING CONTAINS CONFIDENTIAL INFORMATION PROPRIETARY TO SAN-TRON INC. IT MUST NOT BE REPRODUCED OR DISCLOSED TO OTHERS OR USED IN ANY OTHER WAY, IN WHOLE OR PART EXCEPT AS AUTHORIZED IN WRITING BY SAN-TRON INCORPORATED.

UNLESS OTHERWISE SPECIFIED:
 ALL DIMENSIONS ARE IN INCHES.
 ALL DIMENSIONS ARE AFTER PLATING.
 .XXX = ±.005 ALL MACHINED SURFACES R3/ MAX.
 .XX = ±.01 ANG. ±1/2° FRACTIONAL = ±1/64
 @ .004 MAX. TIR



SAN-TRON, INC.
 4 NEWBURYPORT TPK. F8WICH MA USA 01938
 TEL: 878-356-1585 FAX: 878-356-1573
 WWW.santron.com E MAIL: santron@santron.com

TITLE SMA STRAIGHT, JACK RECEPTACLE, PRESS FIT PANEL MOUNT

MATERIAL:	SEE NOTES	FINISH:	SEE NOTES
CAGE CODE:	50896	DWG NO.	OL-STI 1207-12-1
SCALE	4:1	REV.	A