

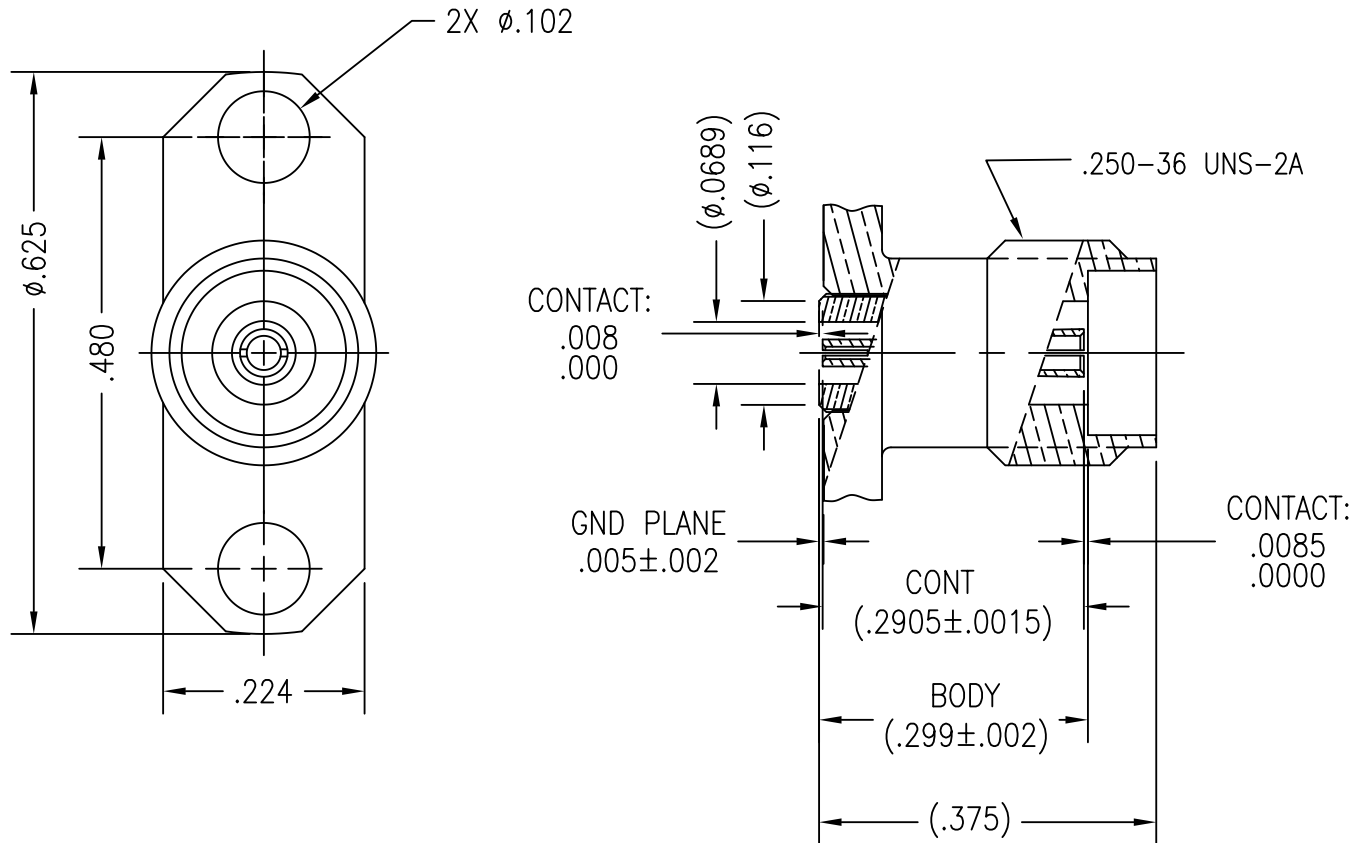
- 1.0 PERFORMANCE: (sea level)  
 1.1 FREQUENCY RANGE DC-40 GHz  
 1.2 VSWR: VSWR<1.07 (DC-12 GHz) ~1.04 EA  
 < 1.40 (40 GHz) ~1.18 EA  
 (2-CONNECTORS PLUS GLASS BEAD)  
 1.3 SYSTEM IMPEDANCE 50 OHMS  
 1.4 DWV: 300 Vrms @ 60 Hz  
 1.5 TEMP RANGE: -65 / +85°C  
 SHORT TERM: +160°C, 1-HR

- 2.0 MATERIALS  
 2.1 SOCKET CONTACT: BeCu  
 2.2 BODY: BRASS  
 2.3 INSULATOR: DELRIN  
 3.0 FINISHES: SEE TABLE

- 4.0 MECHANICAL  
 4.1 INTERFACE REF MIL-STD-348  
 4.2 CONTACT RETENTION 6 LBS AXIAL  
 4.3 CONTACT TORQUE RETENTION: N/A  
 4.4 DURABILITY: 100 CYCLES

DWG NO.	OL-1206-74-1		REV.	E
PART NUMBER	BODY	CONTACT		
1206-74-VH	GOLD/Ni	GOLD/Ni		

PLATING PER SAN-TRON SPEC. 7.3.1-8



DO NOT SCALE DRAWING

E	IMPLEMENT 2906-02 DESIGN PARAMETERS	SCRIP	1-27-11	FSH	FSH
D	OBSOLETE FOR NEW PRODUCTION	SCRIP	1-26-11	FSH	FSH
C	THERMAL RANGE WAS +125 C	FIFO	10/20/06	FSH	FSH
B	WAS: "0.012x.085"/ + DATE CODE (10-6-06)	USE	1/23/06	LAP	FSH
A	RELEASE FOR PRODUCTION	NEW	11/16/05	FSH	FSH
1	PRELIMINARY: DO NOT MFG	NEW	8/16/05		
Rev.	Revisions	Disp.	Date	Dwn.	Appd.

THIS DRAWING CONTAINS CONFIDENTIAL INFORMATION PROPRIETARY TO SAN-TRON, INC. IT MUST NOT BE REPRODUCED OR DISCLOSED TO OTHERS OR USED IN ANY OTHER WAY, IN WHOLE OR PART EXCEPT AS AUTHORIZED IN WRITING BY SAN-TRON, INC.

UNLESS OTHERWISE SPECIFIED:  
 ALL DIMENSIONS ARE IN INCHES.  
 ALL DIMENSIONS ARE AFTER PLATING.  
 .XXX= ±.005 ALL MACHINED SURFACES <sup>63</sup>/ MAX.  
 .XX= ±.01 ANG.±1/2' FRACTIONAL= ±1/64

Ⓢ .004 MAX. TIR.      ⊥ AXIS .001

THIRD ANGLE PROJECTION

DWN	FSH	8/16/05
CHKD	SJS	1/24/06
APPR	FSH	11/22/05

**SAN-TRON, INC.**  
 4 NEWBURYPORT TPK. IPSWICH MA USA 01938  
 TEL: 978 - 356 -1585 FAX: 978 - 356 -1573  
 WWW.santron.com E MAIL: santron@santron.com

**San-Tron**

TITLE SMA-2,92 PANEL RECEPTACLE, FEMALE, STRAIGHT, 2 HOLE, FIELD REPLACEABLE, .012 PIN

MATERIAL: SEE NOTE 1      FINISH: SEE TABLE

CAGE CODE: 50896      DWG NO. OL-1206-74-1      REV. E

SCALE X:X