

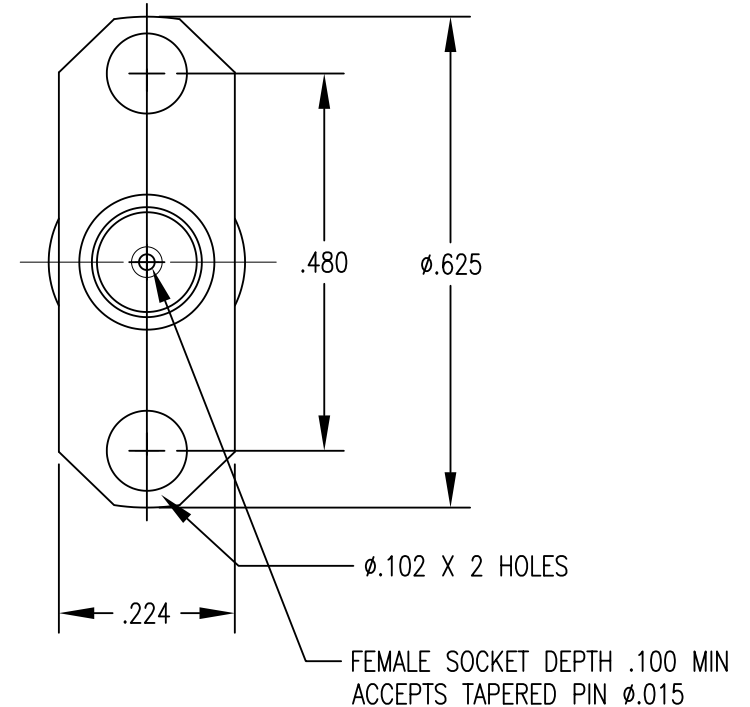
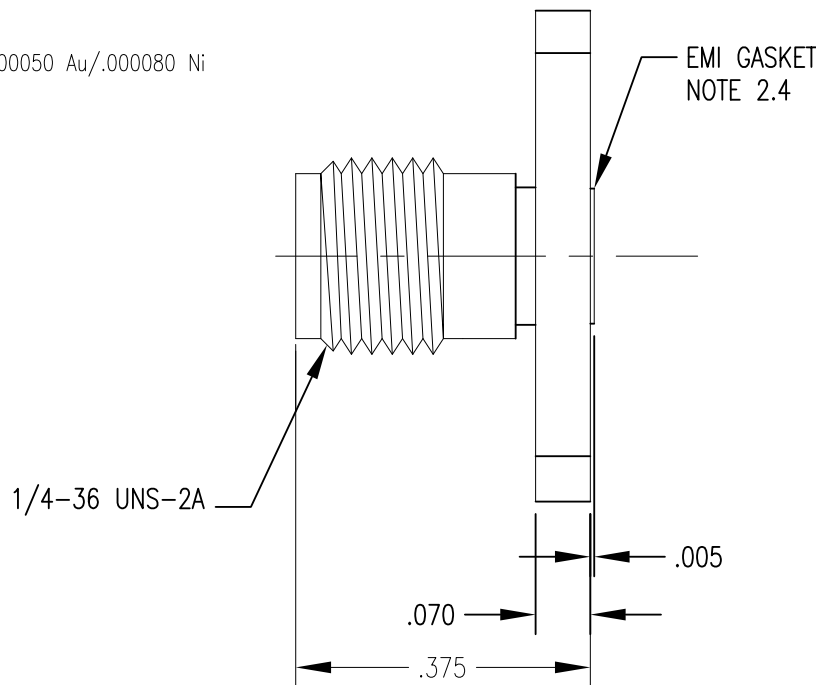
- 1.0 PERFORMANCE:
 1.1 FREQUENCY RANGE DC-27 GHz
 1.2 VSWR TYP < 1.18 (DC-20 GHz)
 < 1.32 (20-27 GHz)
 MOUNTED 2-SAMPLES VIA GLASS BEAD, S11^{0.5}
 1.3 SYSTEM IMPEDANCE 50 OHMS
 1.4 DWV: 1000 Vrms @ 60 Hz (SEA LEVEL)
 1.5 TEMP RANGE: -65 / +165 °C

- 2.0 MATERIALS
 2.1 SOCKET CONTACT: BeCu
 2.2 BODY: SS 303
 2.3 INSULATOR: PTFE
 2.4 EMI GASKET: SILVER FILLED FLUOROSILICONE
 BASIC: MIL-DTL-83528C, TYPE F (VISUAL: GRAY)
 M1: MIL-DTL-83528C, TYPE D (VISUAL: BLUE)

- 3.0 FINISHES
 3.1 CONTACTS: MIN OF .000050 Au/.000080 Ni
 3.2 BODY: PASSIVATE

- 4.0 MECHANICAL
 4.1 INTERFACES PER MIL-STD-348
 4.2 FR.015 SOCKET CHARACTERISTICS:
 INSERTION FORCE ϕ .016 PIN: 20 OZ TYP, 30 OZ MAX
 WITHDRAWAL FORCE ϕ .014 PIN: 0.5 OZ MIN
 SMA SOCKET CHARACTERISTICS:
 INSERTION FORCE ϕ .0370 PIN: 32 OZ TYP, 48 OZ MAX
 WITHDRAWAL FORCE ϕ .0355 PIN: 1 OZ MIN
 4.3 CONTACT RETENTION: 4 LBS MIN
 4.4 DURABILITY: 500 CYCLES
 4.5 COUPLING PROOF TORQUE: 15 IN*LBS MIN
 4.6 RECOMMENDED MATING TORQUE: 7 - 10 IN*LBS

DWG NO. OL-1206-50-1		REV. D
PART NUMBER	BODY	EMI GASKET
1206-50-PJ	PASSIVATE	TYPE: F
1206-50-DJ	.000030 MIN Au OVER .000080/.000150 Ni OVER WATTS NICKEL STRIKE	TYPE: F
1206-50 M1-PJ	PASSIVATE	TYPE: D



THIS DRAWING CONTAINS CONFIDENTIAL INFORMATION PROPRIETARY TO SAN-TRON INC. IT MUST NOT BE REPRODUCED OR DISCLOSED TO OTHERS OR USED IN ANY OTHER WAY, IN WHOLE OR PART EXCEPT AS AUTHORIZED IN WRITING BY SAN-TRON INCORPORATED.



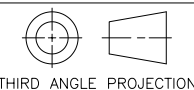
SAN-TRON, INC.

4 NEWBURYPORT TPK. IPSWICH MA USA 01938
 TEL: 978 - 356 - 1585 FAX: 978 - 356 - 1573
 WWW.santron.com E MAIL: santron@santron.com

UNLESS OTHERWISE SPECIFIED:
 ALL DIMENSIONS ARE IN INCHES.
 ALL DIMENSIONS ARE AFTER PLATING.
 .XXX = \pm .005 ALL MACHINED SURFACES $\sqrt{63}$ MAX.
 .XX = \pm .01 ANG. \pm 1/2' FRACTIONAL = \pm 1/64
 @.004 MAX. TIR. \perp AXIS .001

TITLE SMA RECEPTACLE, STRAIGHT FEMALE, 2 HOLE
 FLANGE, FIELD REPLACEABLE (ϕ .015 PIN)

MATERIAL: SEE NOTE 2.0 FINISH: SEE NOTE 3.0



DWN	RF	07/23/04
CHKD	SJS	
APPR	FSH	

CAGE CODE: 50896	DWG NO. OL-1206-50-1	REV. D
SCALE X:X		

DRAWING SCALE NOT DO

Rev.	Revisions	Disp.	Date	Dwn.	Appd.
D	ISSUE ASSEMBLY "M1"	USE	9/23/11	WJ	FSH
C	UPDATE PERFORMANCE PER TEST RESULTS	USE	9/7/05	WJ	FSH
B	UPDATED RF PERFORMANCE	USE	4/15/05	RF	FSH
A	ORIGINAL	NEW	07/23/04		
RECOM. STOCK SIZE	FT/M PCS	Ref.:	REMOVE ALL BURRS AND SHARP EDGES .005 MAX.	INTERPRET PER ASME Y14.5M-1994	
		SK			