

6 5 4 3 2 1

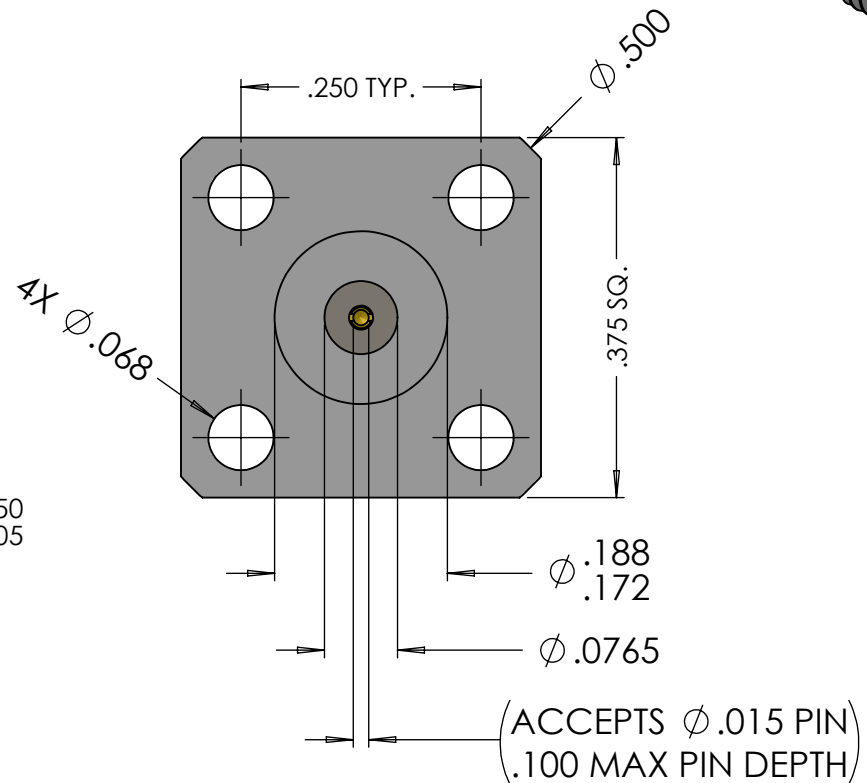
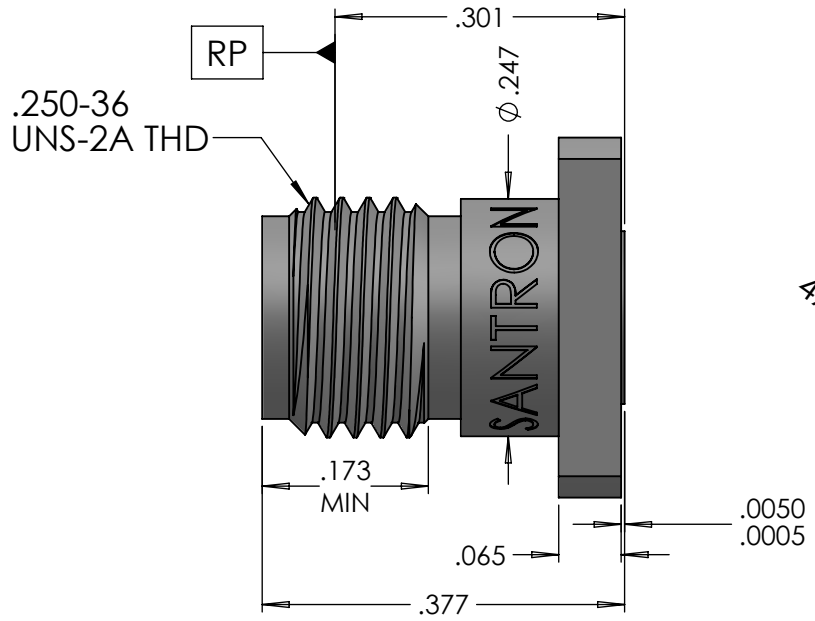
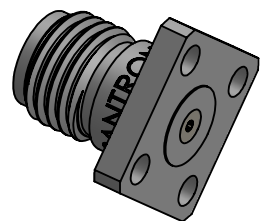
1.0 PERFORMANCE  
 1.1 FREQUENCY RANGE: DC-27GHz  
 1.2 NOMINAL IMPEDANCE: 50 OHMS  
 1.3 VSWR:  
 DC 18GHz...1.10:1 MAX  
 18-27GHz...1.15:1 MAX  
 1.4 TEMPERATURE RANGE: -65/+165°C

2.0 MATERIALS  
 2.1 BODY: SS 303  
 2.2 CONTACT: BeCu  
 2.3 DIELECTRIC: PTFE, ULTEM

3.0 MECHANICAL  
 3.1 INTERFACES: MIL-STD-348  
 3.2 CONTACT RETENTION: N/A  
 3.3 DURABILITY: 500 CYCLES

DWG NO.		REV.	
OL-1206-205-M15-PJ		1	
PART NUMBER	BODY	CONTACT	
1206-205-M15-PJ	PASSIVATED	GOLD	

PLATING PER SAN-TRON SPEC. 7.3.1-8



REVISIONS				
REV.	DESCRIPTION	DISP	DATE	APPROVED
1	RELEASE	NEW	8/26/19	

**Material:**  
SEE NOTES

**Finish:**  
SEE TABLE

UNLESS OTHERWISE SPECIFIED:  
 ALL DIMENSIONS ARE IN INCHES.  
 ALL DIMENSIONS ARE AFTER PLATING.

XXX = ±.005 ALL MACHINED SURFACES  $\sqrt{63}$  MAX.  
 .XX = ±.01 ANG. ±1/2° FRACTIONAL = ± 1/64

⓪ .004 MAX TIR.    ⊥ AXIS .001

**Projection Method:**  
THIRD ANGLE

REMOVE ALL BURRS  
AND SHARP EDGES  
.005 MAX

This drawing and any information or descriptive material set out on it are the confidential and copyright property of SAN-TRON, INC. © and MUST NOT BE DISCLOSED, COPIED, LOANED in whole or part or used for any purpose without the written permission of SAN-TRON, INC.

**Company Confidential**

Legal Owner:  
**SAN-TRON, INC.**  
 4 TURNPIKE ROAD, IPSWICH MA USA 01938  
 TEL: 978-356-1585 FAX: 978-356-1573  
 WWW.santron.com EMAIL: santron@santron.com

<b>Description:</b> SMA JACK (FEMALE) 3/8" SQ FLANGE	
Designed by: ST	Drawn Date: 8/26/2019
Checked by:	Checked Date:
Approved by:	Approved Date:

6 5 4 3 2 1