

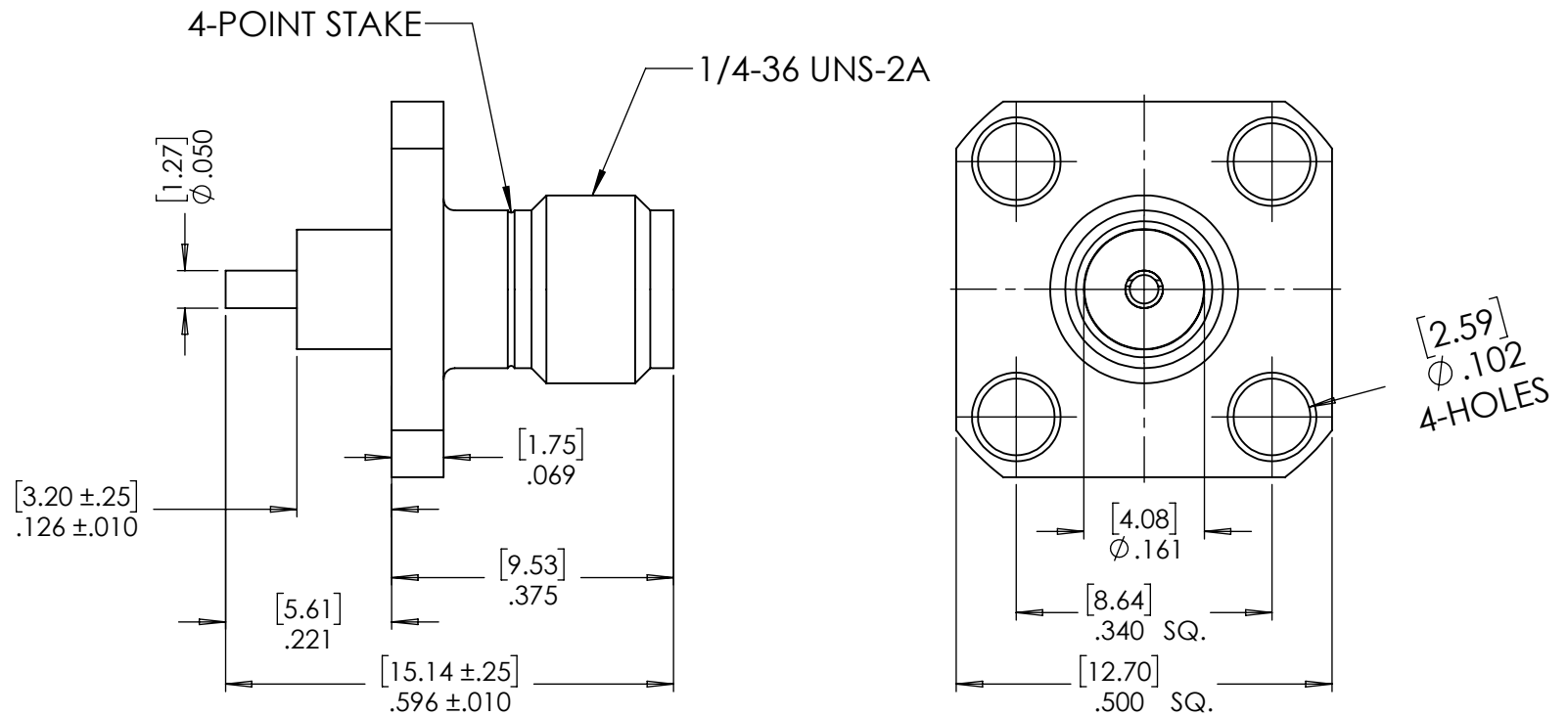
1.0 PERFORMANCE  
 1.1 FREQUENCY RANGE: DC-18 GHz  
 1.2 NOMINAL IMPEDANCE: 50 OHMS  
 1.3 DWV: 1500 Vrms @ 60Hz  
 1.4 TEMPERATURE RANGE: -65/+165 C

2.0 MATERIALS  
 2.1 BODY: SS 303  
 2.2 CONTACT: BeCu  
 2.3 DIELECTRIC: PTFE

3.0 MECHANICAL  
 3.1 INTERFACES: MIL-STD-348  
 3.2 CONTACT RETENTION: 6 LBS AXIAL  
 3.3 DURABILITY: 500 CYCLES

DWG NO.		REV.	
OL-1206-201-1		C	
PART NUMBER	BODY	CONTACT	
1206-201-PJ	PASSIVATE	Au/Ni	

PLATING PER SAN-TRON SPEC. 7.3.1-8



REVISIONS				
REV.	DESCRIPTION	DISP	DATE	APPROVED
C	POST .221 WAS .095, PTFE WAS FLUSH	NEW	11/8/18	FSH
B	PTFE FLUSH WAS .126, POST .095 WAS .315	NEW	11/6/18	FSH
A	RELEASE	NEW	3/23/18	FSH

**Material:**  
SEE NOTES

**Finish:**  
SEE TABLE

UNLESS OTHERWISE SPECIFIED:  
 ALL DIMENSIONS ARE IN INCHES.  
 ALL DIMENSIONS ARE AFTER PLATING.

XXX = ±.005 ALL MACHINED SURFACES <sup>63</sup> MAX.  
 .XX = ±.01 ANG. ±1/2" FRACTIONAL = ± 1/64

Ⓞ .004 MAX TIR.    ⊥ AXIS .001

**Projection Method:**  
THIRD ANGLE

REMOVE ALL BURRS  
AND SHARP EDGES  
.005 MAX

This drawing and any information or descriptive material set out on it are the confidential and copyright property of SAN-TRON, INC. © and MUST NOT BE DISCLOSED, COPIED, LOANED in whole or part or used for any purpose without the written permission of SAN-TRON, INC.

**Company Confidential**

Legal Owner:  
**SAN-TRON, INC.**  
 4 TURNPIKE ROAD, IPSWICH MA USA 01938  
 TEL: 978-356-1585 FAX: 978-356-1573  
 WWW.santron.com EMAIL: santron@santron.com

REF:    CAGE CODE: **50896**    Sheet: 1 of 1

**Description:**  
SMA 4H FLANGE RECEPTICAL

Designed by: ST    Drawn Date: 3/23/2018

Checked by: FSH    Checked Date: 3/23/2018

Approved by: FSH    Approved Date: 3/23/2018