

1.0 PERFORMANCE  
 1.1 FREQUENCY RANGE: DC-27GHz  
 1.2 NOMINAL IMPEDANCE: 50 OHMS  
 1.3 VSWR:

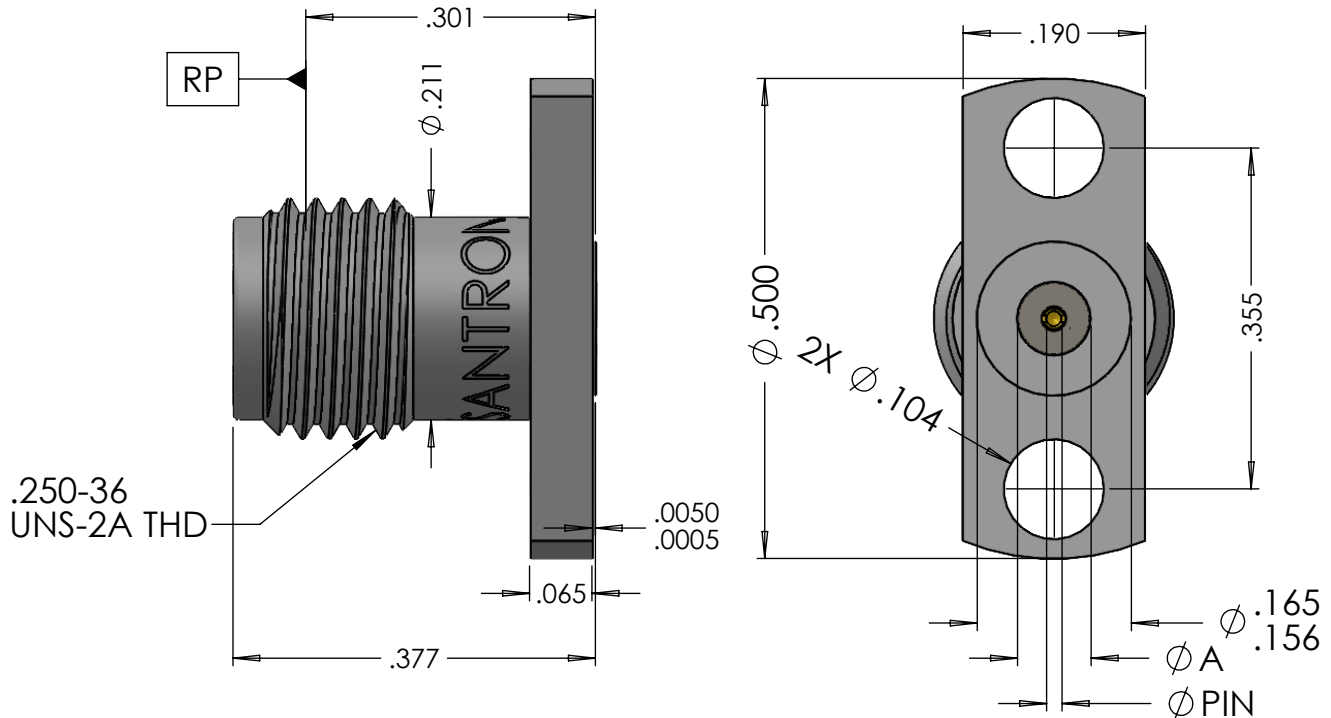
DC 18GHz...1.10:1 TYP  
 18-27GHz...1.15:1 TYP  
 1.4 TEMPERATURE RANGE: -65/+165°C

2.0 MATERIALS  
 2.1 BODY: SS 303, ASTM-A-582  
 2.2 CONTACT: BeCu, ASTM-B-196  
 2.3 DIELECTRIC: PTFE, ASTM-D-1710  
 ULTEM 1000, ASTM D5205

3.0 FINISH  
 3.1 BODY: PASSIVATE, ASTM-A-967  
 3.2 CONTACT: GOLD, ASTM-B488, TYPE II,  
 CODE C, CLASS 1,27  
 4.0 MECHANICAL  
 4.1 INTERFACES: MIL-STD-348  
 4.2 CONTACT RETENTION: 6 LBS AXIAL  
 4.3 DURABILITY: 500 CYCLES

|               |      |
|---------------|------|
| DWG NO.       | REV. |
| OL-1206-214-1 | A    |

| PART NUMBER     | Ø PIN      | MAX PIN DEPTH | Ø A   |
|-----------------|------------|---------------|-------|
| 1206-214-M12-PJ | .0120±.001 | .075          | .0765 |
| 1206-214-M15-PJ | .0150±.001 | .100          | .0765 |
| 1206-214-M20-PJ | .0200±.001 | .100          | .1045 |



| REVISIONS |             |      |         |          |
|-----------|-------------|------|---------|----------|
| REV.      | DESCRIPTION | DISP | DATE    | APPROVED |
| A         | RELEASE     | NEW  | 6/25/20 | FSH      |

**Material:**  
SEE NOTES

**Finish:**  
SEE TABLE

UNLESS OTHERWISE SPECIFIED:  
 ALL DIMENSIONS ARE IN INCHES.  
 ALL DIMENSIONS ARE AFTER PLATING.

XXX = ±.005 ALL MACHINED SURFACES <sup>63</sup> MAX.  
 XX = ±.01 ANG. ±1/2° FRACTIONAL = ± 1/64

⓪ .004 MAX TIR.    ⊓ ⊓ AXIS .001

**Projection Method:**  
THIRD ANGLE

REMOVE ALL BURRS  
 AND SHARP EDGES  
 .005 MAX

This drawing and any information or descriptive material set out on it are the confidential and copyright property of SAN-TRON, INC. © and MUST NOT BE DISCLOSED, COPIED, LOANED in whole or part or used for any purpose without the written permission of SAN-TRON, INC.

**Company Confidential**

Legal Owner:  
**SAN-TRON, INC.**  
 4 TURNPIKE ROAD, IPSWICH MA USA 01938  
 TEL: 978-356-1585 FAX: 978-356-1573  
 WWW.santron.com EMAIL: santron@santron.com

REF:    CAGE CODE:    Sheet:    Approved by:    Approved Date:

50896    1 of 1    ST    6/25/2020

**Description:**  
**SMA JACK (FEMALE)  
 .500 LONG FLANGE**

Designed by: ST    Drawn Date: 6/25/2020

Checked by:    Checked Date:

Approved by: ST    Approved Date: 6/25/2020