

1.0 PERFORMANCE

- 1.1 FREQUENCY RANGE: DC-27GHz
- 1.2 NOMINAL IMPEDANCE: 50 OHMS
- 1.3 VSWR:

DC 18GHz...1.10:1 TYP
18-27GHz...1.15:1 TYP

- 1.4 TEMPERATURE RANGE: -65/+165°C

2.0 MATERIALS

- 2.1 BODY: SS 303, ASTM-A-582
- 2.2 CONTACT: BeCu, ASTM-B-196
- 2.3 DIELECTRIC: PTFE, ASTM-D-1710
ULTEM 1000, ASTM D5205

3.0 FINISH

- 3.1 BODY: PASSIVATE, ASTM-A-967
- 3.2 CONTACT: GOLD, ASTM-B488, TYPE II, CODE C, CLASS 1,27

4.0 MECHANICAL

- 4.1 INTERFACES: MIL-STD-348
- 4.2 CONTACT RETENTION: 6 LBS AXIAL
- 4.3 DURABILITY: 500 CYCLES

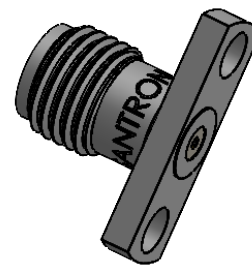
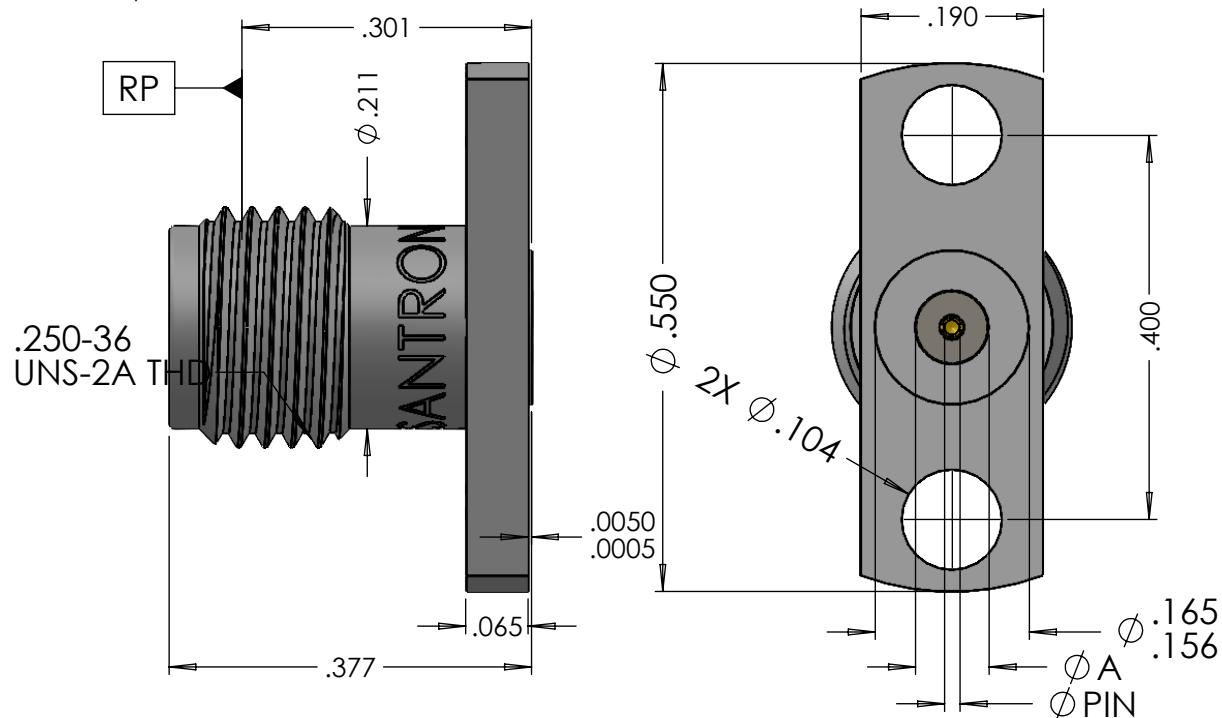
DWG NO.

OL-1206-209-1

REV.

A

PART NUMBER	Ø PIN	MAX PIN DEPTH	Ø A
1206-209-M12-PJ	.0120±.001	.075	.0765
1206-209-M15-PJ	.0150±.001	.100	.0765
1206-209-M20-PJ	.0200±.001	.100	.1045



REVISIONS

REV.	DESCRIPTION	DISP	DATE	APPROVED
A1	REMOVE -M18 P/N	NEW	6/25/20	ST
A	RELEASE	NEW	11/15/19	FSH

Material:
SEE NOTES

Finish:
SEE TABLE

UNLESS OTHERWISE SPECIFIED:
ALL DIMENSIONS ARE IN INCHES.
ALL DIMENSIONS ARE AFTER PLATING.

XXX = ±.005 ALL MACHINED SURFACES ⁶³ MAX.
XX = ±.01 ANG. ±1/2° FRACTIONAL = ± 1/64

Ⓢ .004 MAX TIR. Ⓢ Ⓢ AXIS .001

Projection Method:
THIRD ANGLE



REMOVE ALL BURRS
AND SHARP EDGES
.005 MAX

This drawing and any information or descriptive material set out on it are the confidential and copyright property of SAN-TRON, INC. © and MUST NOT BE DISCLOSED, COPIED, LOANED in whole or part or used for any purpose without the written permission of SAN-TRON, INC.

Company Confidential

Legal Owner:

SAN-TRON, INC.

4 TURNPIKE ROAD, IPSWICH MA USA 01938

TEL: 978-356-1585 FAX: 978-356-1573

WWW.santron.com EMAIL: santron@santron.com

Description:

**SMA JACK (FEMALE)
.550 LONG FLANGE**

Designed by:

ST

Drawn Date:

8/26/2019

Checked by:

FSH

Checked Date:

11/15/2019

Approved by:

FSH

Approved Date:

11/15/2019

REF:

CAGE CODE:

50896

Sheet:

1 of 1

6

5

4

3

2

1

F

F

E

E

D

D

C

C

B

B

A

A