

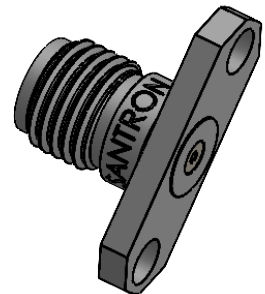
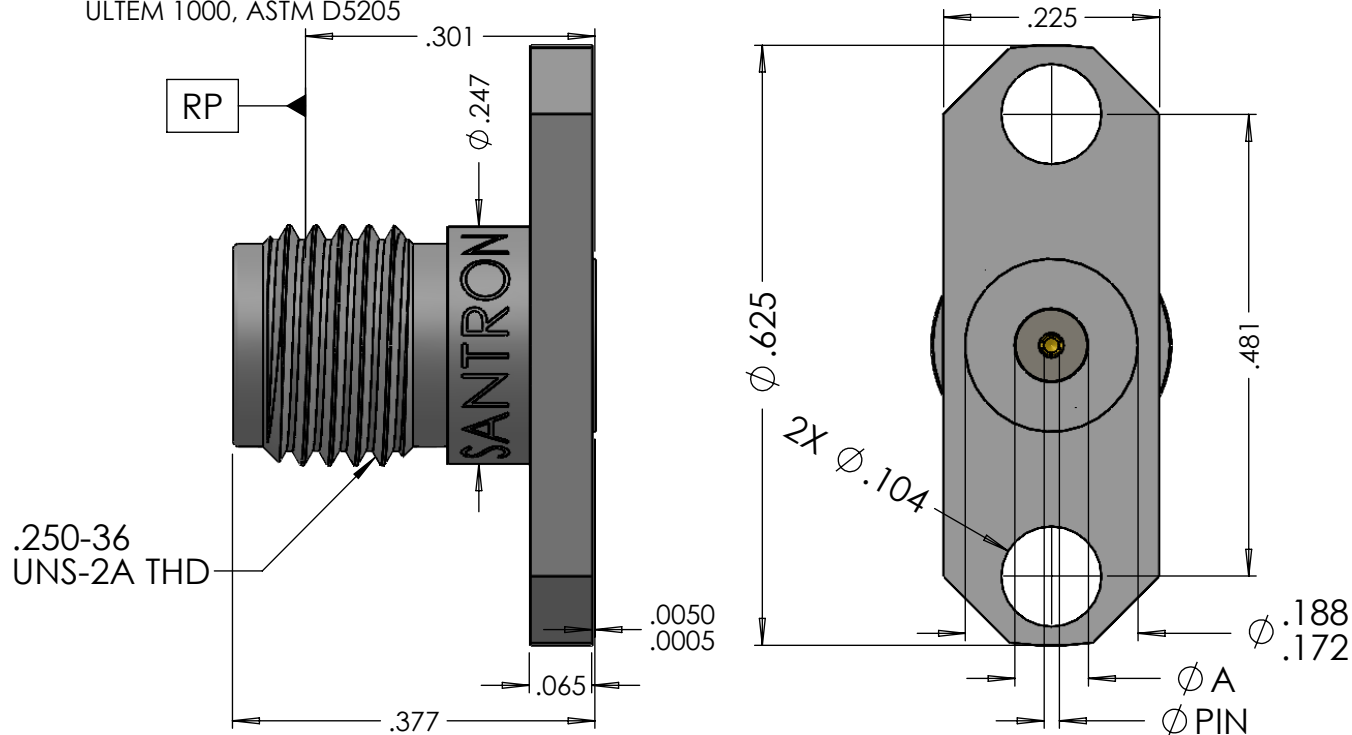
1.0 PERFORMANCE  
 1.1 FREQUENCY RANGE: DC-27GHz  
 1.2 NOMINAL IMPEDANCE: 50 OHMS  
 1.3 VSWR:  
 DC 18GHz...1.10:1 TYP  
 18-27GHz...1.15:1 TYP  
 1.4 TEMPERATURE RANGE: -65/+165°C

2.0 MATERIALS  
 2.1 BODY: SS 303, ASTM-A-582  
 2.2 CONTACT: BeCu, ASTM-B-196  
 2.3 DIELECTRIC: PTFE, ASTM-D-1710  
 ULTEM 1000, ASTM D5205

3.0 FINISH  
 3.1 BODY: PASSIVATE, ASTM-A-967  
 3.2 CONTACT: GOLD, ASTM-B488, TYPE II, CODE C, CLASS 1,27  
 4.0 MECHANICAL  
 4.1 INTERFACES: MIL-STD-348  
 4.2 CONTACT RETENTION: 6 LBS AXIAL  
 4.3 DURABILITY: 500 CYCLES

DWG NO.	REV.
OL-1206-208-1	A

PART NUMBER	Ø PIN	MAX PIN DEPTH	Ø A
1206-208-M12-PJ	.0120±.001	.075	.0765
1206-208-M15-PJ	.0150±.001	.100	.0765
1206-208-M20-PJ	.0200±.001	.100	.1045



REVISIONS

REV.	DESCRIPTION	DISP	DATE	APPROVED
A1	REMOVE -M18 P/N	NEW	6/25/20	ST
A	RELEASE	NEW	11/15/19	FSH

**Material:**  
SEE NOTES

**Finish:**  
SEE TABLE

UNLESS OTHERWISE SPECIFIED:  
 ALL DIMENSIONS ARE IN INCHES.  
 ALL DIMENSIONS ARE AFTER PLATING.

XXX = ±.005 ALL MACHINED SURFACES <sup>63</sup> MAX.  
 XX = ±.01 ANG. ±1/2° FRACTIONAL = ± 1/64

⓪ .004 MAX TIR.    ⊓ ⊓ AXIS .001

**Projection Method:**  
THIRD ANGLE

REMOVE ALL BURRS  
 AND SHARP EDGES  
 .005 MAX

This drawing and any information or descriptive material set out on it are the confidential and copyright property of SAN-TRON, INC. © and MUST NOT BE DISCLOSED, COPIED, LOANED in whole or part or used for any purpose without the written permission of SAN-TRON, INC.

**Company Confidential**

Legal Owner:  
**SAN-TRON, INC.**  
 4 TURNPIKE ROAD, IPSWICH MA USA 01938  
 TEL: 978-356-1585 FAX: 978-356-1573  
 WWW.santron.com EMAIL: santron@santron.com

REF:    CAGE CODE:    Sheet:    1 of 1

**50896**

**Description:**  
**SMA JACK (FEMALE)**  
**.625 LONG FLANGE**

Designed by: ST    Drawn Date: 8/26/2019

Checked by: FSH    Checked Date: 11/15/2019

Approved by: FSH    Approved Date: 11/15/2019