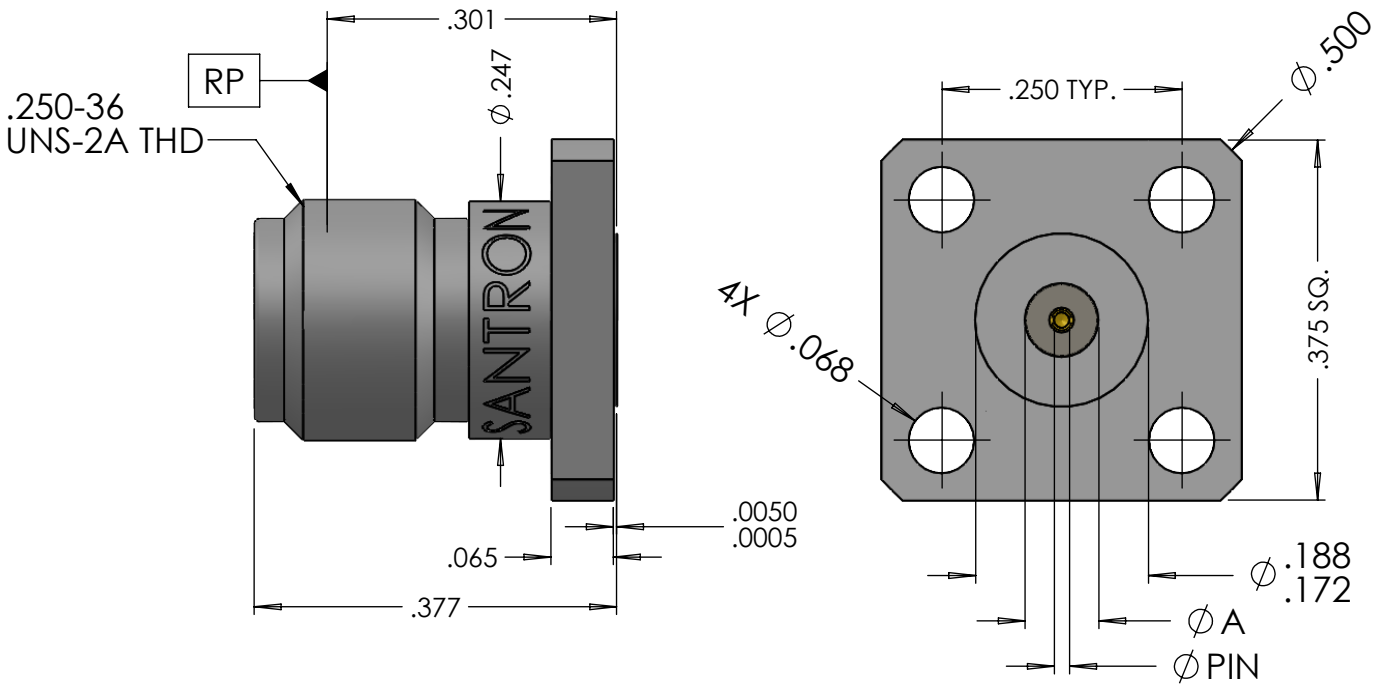


6 5 4 3 2 1

DWG NO.	REV.
OL-1206-205-1	A

- 1.0 PERFORMANCE
- 1.1 FREQUENCY RANGE: DC-27GHz
- 1.2 NOMINAL IMPEDANCE: 50 OHMS
- 1.3 VSWR:
 - DC 18GHz...1.10:1 TYP
 - 18-27GHz...1.15:1 TYP
- 1.4 TEMPERATURE RANGE: -65/+165°C
- 2.0 MATERIALS
- 2.1 BODY: SS 303, ASTM-A-582
- 2.2 CONTACT: BeCu, ASTM-B-196
- 2.3 DIELECTRIC: PTFE, ASTM-D-1710
ULTEM 1000, ASTM D5205
- 3.0 FINISH
- 3.1 BODY: PASSIVATE, ASTM-A-967
- 3.2 CONTACT: GOLD, ASTM-B488, TYPE II,
CODE C, CLASS 1,27
- 4.0 MECHANICAL
- 4.1 INTERFACES: MIL-STD-348
- 4.2 CONTACT RETENTION: 6 LBS AXIAL
- 4.3 DURABILITY: 500 CYCLES

PART NUMBER	Ø PIN	MAX PIN DEPTH	Ø A
1206-205-M12-PJ	.0120±.001	.075	.0765
1206-205-M15-PJ	.0150±.001	.100	.0765
1206-205-M20-PJ	.0200±.001	.100	.1045



REVISIONS				
REV.	DESCRIPTION	DISP	DATE	APPROVED
A1	REMOVE -M18 P/N	NEW	6/25/20	ST
A	RELEASE	NEW	11/15/19	FSH

Material:
SEE NOTES

Finish:
SEE TABLE

UNLESS OTHERWISE SPECIFIED:
ALL DIMENSIONS ARE IN INCHES.
ALL DIMENSIONS ARE AFTER PLATING.

XXX = ±.005 ALL MACHINED SURFACES ⁶³ MAX.
XX = ±.01 ANG. ±1/2° FRACTIONAL = ± 1/64

Ⓢ .004 MAX TIR. Ⓢ AXIS .001

Projection Method:
THIRD ANGLE

REMOVE ALL BURRS
AND SHARP EDGES
.005 MAX

This drawing and any information or descriptive material set out on it are the confidential and copyright property of SAN-TRON, INC. © and MUST NOT BE DISCLOSED, COPIED, LOANED in whole or part or used for any purpose without the written permission of SAN-TRON, INC.

Company Confidential

Legal Owner:
SAN-TRON, INC.
4 TURNPIKE ROAD, IPSWICH MA USA 01938
TEL: 978-356-1585 FAX: 978-356-1573
WWW.santron.com EMAIL: santron@santron.com

REF: CAGE CODE: Sheet:

50896 1 of 1

Description:
**SMA JACK (FEMALE)
3/8" SQ FLANGE**

Designed by: ST Drawn Date: 8/26/2019

Checked by: FSH Checked Date: 11/15/2019

Approved by: FSH Approved Date: 11/15/2019

6 5 4 3 2 1