

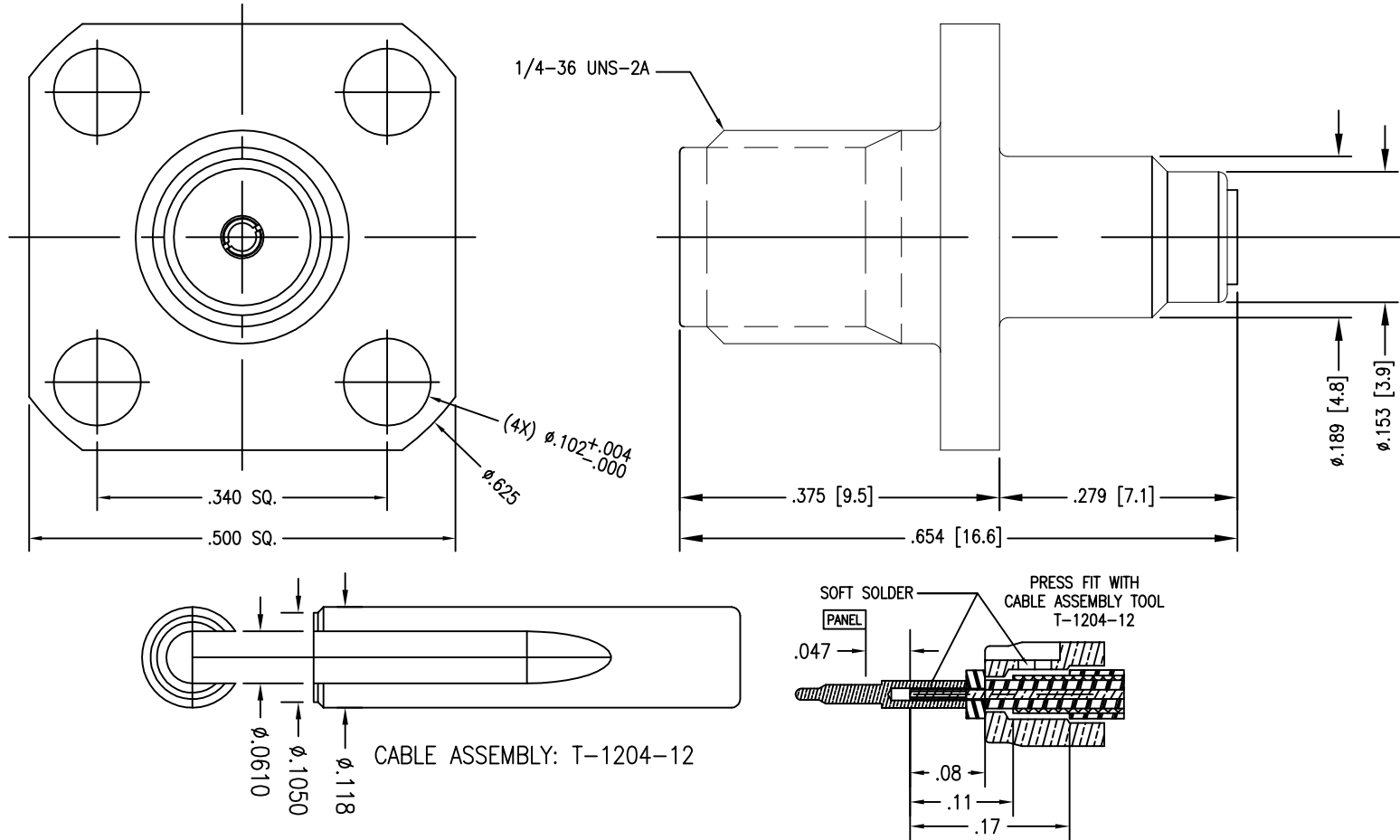
1.0 PERFORMANCE (SEA LEVEL)  
 1.1 FREQUENCY RANGE: DC-26.5 GHz  
 1.2 SYSTEM IMPEDANCE: 50 OHMS  
 1.3 DWV: 300 Vrms, 60 Hz  
 1.4 TEMPERATURE RANGE: -65°C TO +150°C  
 1.5 PRESSURIZATION: IP-67; 30 PSIG UNMATED

2.0 MATERIALS (DFARS COMPLIANT)  
 2.1 CONTACT: BERYLLIUM COPPER  
 2.2 BODY: SS303  
 2.3 DIELECTRICS: pSERIES & REXOLITE  
 2.4 BUSHINGS: Cu ALLOY (SILVER)  
 3.0 FINISHES: SEE TABLE

4.0 MECHANICAL  
 4.1 INTERFACE PER MIL-STD-348  
 4.2 CONTACT RETENTION  
 10 LBS AXIAL, 4 IN\*OZ TORQUE  
 4.3 DURABILITY: 500 CYCLES

DWG NO. OL-1204-15-1		REV. A
PART NUMBER	BODY	CONTACT
1204-15-PJ	PASSIVATE	GOLD/Ni

PLATING PER SAN-TRON SPEC. 7.3.1-8



DO NOT SCALE DRAWING

Rev.	Revisions	Disp.	Date	Dwn.	Appd.
A	ORIGINAL	NEW	5/2/16		
Ref.:	ref 1205-25 ref 1204-12	REMOVE ALL BURRS AND SHARP EDGES .005 MAX.	INTERPRET PER ASME Y14.5M-1994		

THIS DRAWING CONTAINS CONFIDENTIAL INFORMATION PROPRIETARY TO SAN-TRON, INC. IT MUST NOT BE REPRODUCED OR DISCLOSED TO OTHERS OR USED IN ANY OTHER WAY, IN WHOLE OR PART EXCEPT AS AUTHORIZED IN WRITING BY SAN-TRON, INC.

UNLESS OTHERWISE SPECIFIED:  
 ALL DIMENSIONS ARE IN INCHES.  
 ALL DIMENSIONS ARE AFTER PLATING.  
 .XXX = ±.005 ALL MACHINED SURFACES 63/ MAX.  
 .XX = ±.01 ANG. ±1/2' FRACTIONAL = ±1/64  
 ◎ .004 MAX. TIR.      ⊥ AXIS .001

THIRD ANGLE PROJECTION

DWN	PRS	4/29/16
CHKD	JS	5/2/16
APPR	FSH	5/2/16



**SAN-TRON, INC.**  
 4 NEWBURYPORT TPK. IPSWICH MA USA 01938  
 TEL: 978 - 356 -1585 FAX: 978 - 356 -1573  
 WWW.SANTRON.COM E MAIL: santron@santron.com

TITLE  
**SMA PANEL JACK, PRESSURIZED  
 FOR FF047 CABLE**

MATERIAL: SEE NOTES      FINISH: SEE TABLE

CAGE CODE: 50896      DWG NO. OL-1204-15-1

SCALE X:X      REV. A