

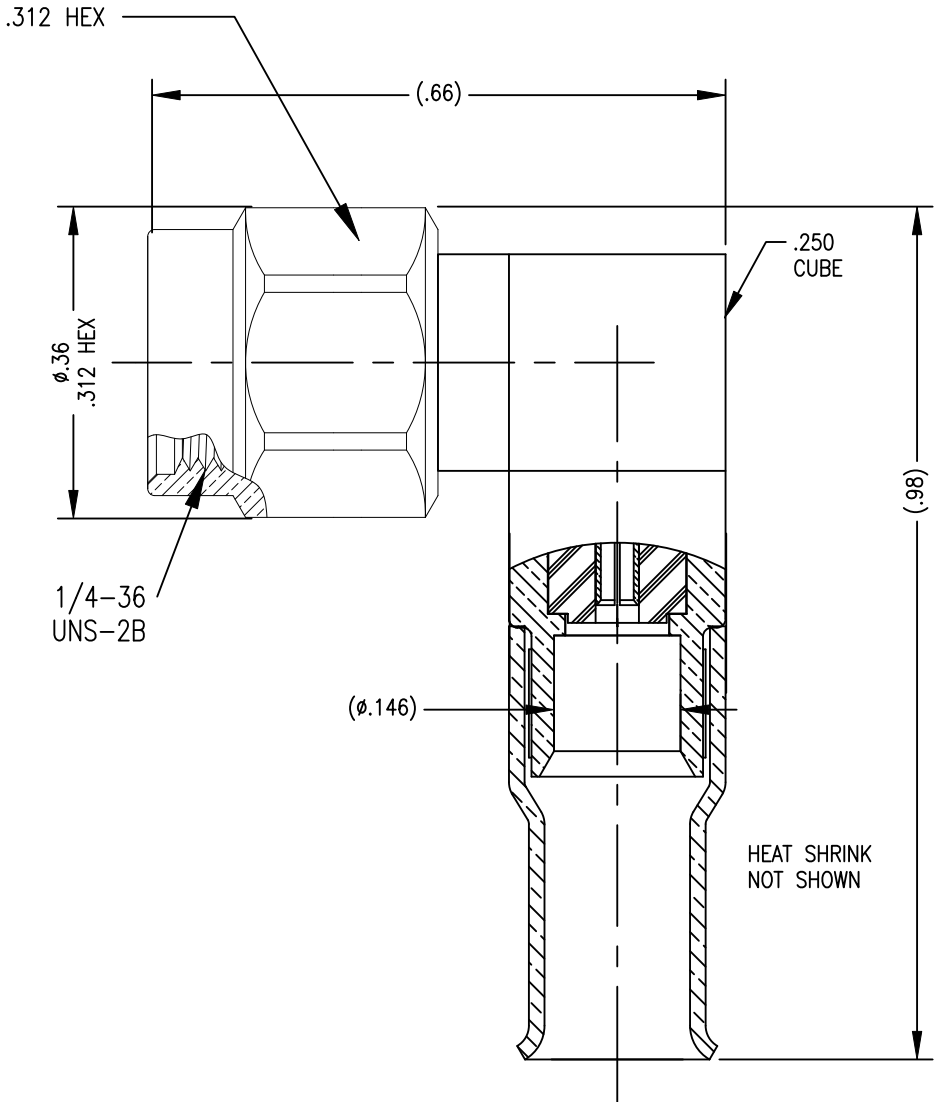
DWG NO.	OL-1202-42-1			REV.	D
PART NUMBER	BODY	CONTACT	C'NUT		
1202-42-AG	ALBALOY	GOLD	ALBALOY		
1202-42-AS	ALBALOY	SILVER	ALBALOY		
1202-42-GJP	GOLD	GOLD/Ni	PASS		

PLATING PER SAN-TRON SPEC. 7.3.1-8

- 1.0 PERFORMANCE (sea level)
- 1.1 FREQUENCY RANGE: DC-12.4 GHz
- 1.2 NOMINAL IMPEDANCE: 50 OHMS
- 1.3 VSWR < 1.05 + .03*F TYP
- 1.4 INSERTION LOSS < .06*(F)^0.5 TYP
- 1.5 DWV: 750 Vrms @ 60 Hz
- 1.6 TEMPERATURE RANGE: -65/+165°C
- 1.7 PIM: -153 dBc (+43 dBm) [ONLY -AS & -AG]

- 2.0 MATERIALS (RoHS/REACH)
- 2.1 CONTACTS: BeCu
- 2.2 BODY: BeCu & BRASS
- 2.3 DIELECTRIC: PTFE
- 2.4 RETAINING RING: BeCu
- 2.5 GASKET: Si RUBBER
- 2.6 CRIMP FERRULE: Cu (OPTIONAL)
- 2.7 COUPLING NUT: BRASS

- 3.0 FINISH: SEE TABLE
- 4.0 MECHANICAL
- 4.1 INTERFACE REF MIL-STD-348
- 4.2 CONTACT RETENTION: 6 LBS AXIAL
- 4.3 COUPLING PROOF: 15 IN*LBS
- 4.4 MATING TORQUE: 6-10 IN*LBS
- 4.5 DURABILITY: 500 CYCLES
- 4.6 CABLE ASSEMBLY INSTRUCTIONS
CA-9967 eSERIES



DO NOT SCALE DRAWING

D3	REVISE NOTE 1.7: PIM ONLY FOR -AG & -AS	MIX	6/8/23	NS	NS
D2	ADD PLATING CODES 'AS' & 'GJP'	MIX	6/8/23	NS	NS
D1	ADD VSWR & INSERTION LOSS SPECS	MIX	7/16/18	FSH	FSH
D	ADD PIM PERFORMANCE / DELETE PLATING -AS	MIX	9/23/11	FSH	FSH
C	COUPLING NUT WAS SS-303	RWK	7/19/11	FSH	FSH
B	WAS 1202-42-AGP	NEW	3/24/11	RJG	SJS
Rev.	Revisions	Disp.	Date	Dwn.	Appd.
	Ref.: SK-	REMOVE ALL BURRS AND SHARP EDGES .005 MAX.	INTERPRET PER ASME Y14.5M-1994		

THIS DRAWING CONTAINS CONFIDENTIAL INFORMATION PROPRIETARY TO SAN-TRON, INC. IT MUST NOT BE REPRODUCED OR DISCLOSED TO OTHERS OR USED IN ANY OTHER WAY, IN WHOLE OR PART EXCEPT AS AUTHORIZED IN WRITING BY SAN-TRON, INC.

UNLESS OTHERWISE SPECIFIED:
ALL DIMENSIONS ARE IN INCHES.
ALL DIMENSIONS ARE AFTER PLATING.
.XXX = ±.005 ALL MACHINED SURFACES 32/ MAX.
.XX = ±.01 ANG. ±1/2° FRACTIONAL = ±1/64

Ⓞ.004 MAX. TIR L AXIS .001

THIRD ANGLE PROJECTION

DWN	RJG	2/11/11
CHKD	SJS	.
APPR	FSH	2/11/11

SAN-TRON, INC.
4 NEWBURYPORT TPK. IPSWICH MA USA 01938
TEL: 978 - 356 -1585 FAX: 978 - 356 -1573
WWW.santron.com E MAIL: santron@santron.com

San-Tron

TITLE eSMA RA PLUG, DIRECT SOLDER FOR SRX-141

MATERIAL: FINISH: SEE TABLE

CAGE CODE: 50896 DWG NO. OL-1202-42-1 REV. D

SCALE X:X