

- 1.0 PERFORMANCE: (sea level)
 1.1 FREQUENCY RANGE DC-20 GHz
 1.2 VSWR: 1.22 MAX (-20 dB)
 1.18 TYPICAL (-21.7dB)
 1.3 SYSTEM IMPEDANCE 50 OHMS
 1.4 DSW: 500 Vrms @ 60 Hz
 1.5 VOLTAGE RATING: 175 VRMS
 1.6 TEMP RANGE: -65 / +165 °C
 1.7 PIM < -155 dBc (+40dBm) flexible
 < -161 dBc (-40dBm) rigid cable

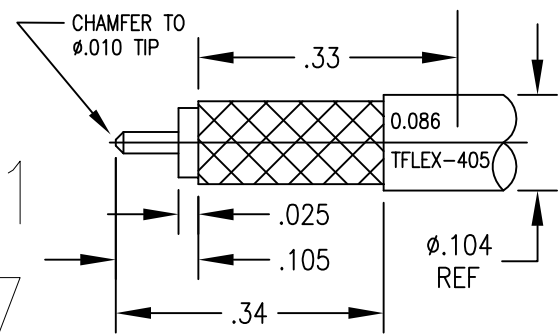
- 2.0 MATERIALS
 2.1 CONTACT: BeCu
 2.2 LOCKING RING: BeCu
 2.3 COUPLING NUT:
 STAINLESS STEEL (-GJP)
 BRASS (-AG)
 2.4 CRIMP FERRULE: SOFT COPPER
 2.5 BODY: BRASS
 2.6 INSULATOR: PTFE
 2.7 GASKET: Si RUBBER
 3.0 FINISHES: SEE TABLE

- 4.0 MECHANICAL
 4.1 INTERFACES PER MIL-STD-348
 4.2 COUPLING PROOF TORQUE 15 INCH*LBS
 4.3 COUPLING NUT RETENTION 60 LBS AXIAL
 4.4 CONTACT RETENTION 6 LBS AXIAL
 4.5 DURABILITY: 100 CYCLES

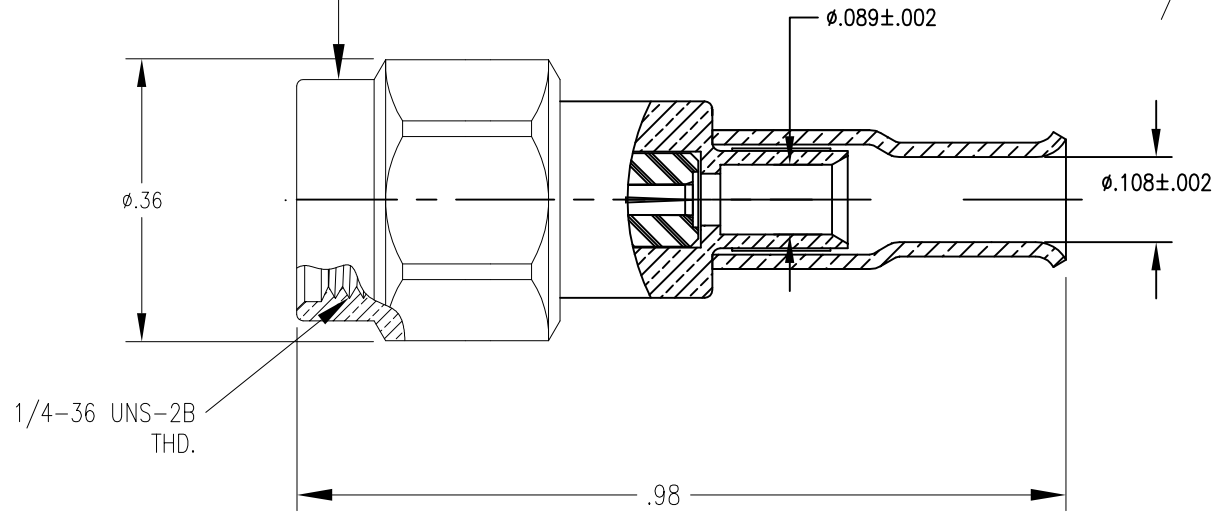
DWG NO. OL-1201-27-1 REV. G

OBSOLETE: USE OL-1201-27-1
 PRS 3/21/17

CRIMP HEX SIZE: .151



STAMP PER ORDER



ASSEMBLY INSTRUCTIONS:

- 1) WINDOW STRIP JACKET AT 0.08 THRU 0.34
- 2) PRE-TIN THE BRAID USING MINIMUM SOLDER
- 3) STRIP BRAID AT 0.105
- 4) STIP CENTER CONDUCTOR LEAVING .025 DIELECTRIC
- 5) POINT CENTER CONDUCTOR
- 6) FIXTURE SMA INTERFACE WITH TOOL 1209-03-P
- 7) INSERT CABLE FULLY INTO CONNECTOR BODY
- 8) APPLY HEAT TO CONNECTOR BODY ONLY AND SOLDER BRAID
- 9) LIMIT SOLDER WICKING TO 0.33
- 10) SLIDE CRIMP FERRULE INTO PLACE AND CRIMP

NOTE	PART NUMBER	BODY	CONTACT	C-NUT
STD	1201-27-GJP	Au/Cu	Au/Ni	PASSIVATE SS-303
PIM	1201-27-AG	ALBALOY	Au/Cu	ALBALOY BRASS
QUICKMATE	1201-27 M1-GJP	Au/Cu	Au/Ni	PASSIVATE SS-303



SAN-TRON, INC.
 4 NEWBURYPORT TPK. IPSWICH MA USA 01938
 TEL: 978-356-1585 FAX: 978-356-1573
 WWW.santron.com E MAIL: santron@santron.com

TITLE eSMA PLUG, STRAIGHT, EZ STYLE, TFLEX-405, SS-405 (ø.086)	
MATERIAL: SEE NOTE 2.0	FINISH: SEE NOTE 3.0
CAGE CODE: 50896	DWG NO. OL-1201-27-1
SCALE 4:1	REV. G

Rev.	Revisions	Disp.	Date	Dwn.	Appd.
G	ADD PIM SPEC	MIX	4/30/14	FSH	FSH
F	ISSUE 1201-27-AG	NEW	5/26/11	FSH	FSH
E	UPDATE PROCEDURES	MIX	7/19/07	FSH	FSH
D	UPDATE CONNECTOR ELECTRICAL PERFORMANCE PER ACTUAL TEST RESULTS	MIX	6/21/07	DVP	FSH
C	IMPLEMENT IMPROVED CABLE PREP	MIX	4/12/07	FSH	FSH
A	ORIGINAL	NEW	1/3/05		

RECOM. STOCK SIZE FT/M PCS Ref.: SK REMOVE ALL BURRS AND SHARP EDGES .005 MAX. INTERPRET PER ASME Y14.5M-1994

THIS DRAWING CONTAINS CONFIDENTIAL INFORMATION PROPRIETARY TO SAN-TRON INC. IT MUST NOT BE REPRODUCED OR DISCLOSED TO OTHERS OR USED IN ANY OTHER WAY, IN WHOLE OR PART EXCEPT AS AUTHORIZED IN WRITING BY SAN-TRON INCORPORATED.

UNLESS OTHERWISE SPECIFIED:
 ALL DIMENSIONS ARE IN INCHES.
 ALL DIMENSIONS ARE AFTER PLATING.
 .XXX = ±.005 ALL MACHINED SURFACES ⁶³/ MAX.
 .XX = ±.01 ANG. ±1/2' FRACTIONAL = ±1/64
 ©.004 MAX. TIR. ⊥ AXIS .001

THIRD ANGLE PROJECTION

DWN	LAP	1/3/05
CHKD	SJS	X
APPR	FSH	1/3/05

DO NOT SCALE DRAWING