

PERFORMANCE:

- FREQ RANGE: DC-11 GHz
- NOMINAL IMPEDANCE: 50 OHMS
- DWV: 1,500 Vrms, 60 Hz
- TEMP RANGE: -65/+165C

MATERIALS: RoHS/REACH

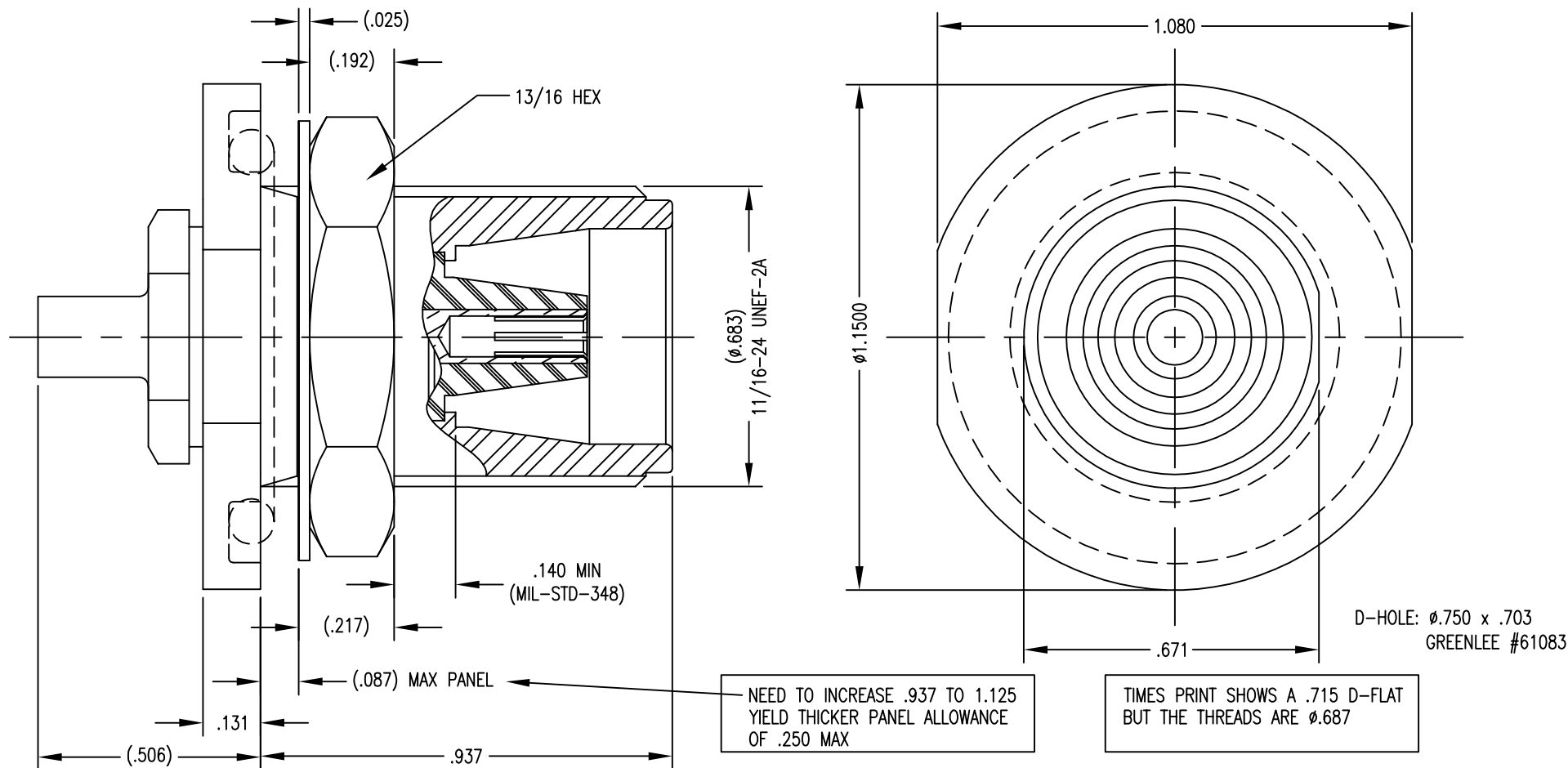
- BODY: SS-303, PASSIVATE
- CONTACT: BeCu, 50 Au/Ni
- DIELECTRIC: PTFE
- SOLDER NUT: BRASS, Ag
- GASKET: Si RUBBER
- HARDWARE, SS300, PASSIVATE

MECHANICAL:

- INTERFACE PER MIL-STD-348
- CONTACT RETENTION: 12 LBS AXIAL TORQUE N/A
- DURABILITY: 500 CYCLES

DWG NO.		REV.
OL-1105-11-1		2
PART NUMBER	BODY	CONTACT
1105-11-PJ	PASSIVATE	50 Au/Ni

PLATING PER SAN-TRON SPEC. 7.3.1-8



THIS DRAWING CONTAINS CONFIDENTIAL INFORMATION PROPRIETARY TO SAN-TRON INC. IT MUST NOT BE REPRODUCED OR DISCLOSED TO OTHERS OR USED IN ANY OTHER WAY, IN WHOLE OR PART EXCEPT AS AUTHORIZED IN WRITING BY SAN-TRON INCORPORATED.

SAN-TRON, INC.
 4 NEWBURYPORT TPK. IPSWICH MA USA 01938
 TEL: 978 - 356 -1585 FAX: 978 - 356 -1573
 WWW.santron.com E MAIL: santron@santron.com

UNLESS OTHERWISE SPECIFIED:
 ALL DIMENSIONS ARE IN INCHES.
 ALL DIMENSIONS ARE AFTER PLATING.
 .XXX= ±.005 ALL MACHINED SURFACES \sqrt{R} MAX.
 .XX= ±.01 ANG.±1/2' FRACTIONAL= ±1/64
 ©.004 MAX. TIR. \perp AXIS .001

TITLE SC BULKHEAD FEMALE
 RG-402 SEMI-RIGID CABLE
 MATERIAL: FINISH:

2	PRELIMINARY	NEW	7/13/17		
Rev.	Revisions	Disp.	Date	Dwn.	Appd.
RECOM. STOCK SIZE	FT/M PCS	Ref.:	REMOVE ALL BURRS AND SHARP EDGES .005 MAX.	INTERPRET PER ASME Y14.5M-1994	
		BRM 28378			

THIRD ANGLE PROJECTION

DWN	JL	7/12/17
CHKD		
APPR	FSH	

CAGE CODE: 50896	DWG NO.	REV.
SCALE X:X	OL-1105-11-1	2

DO NOT SCALE DRAWING