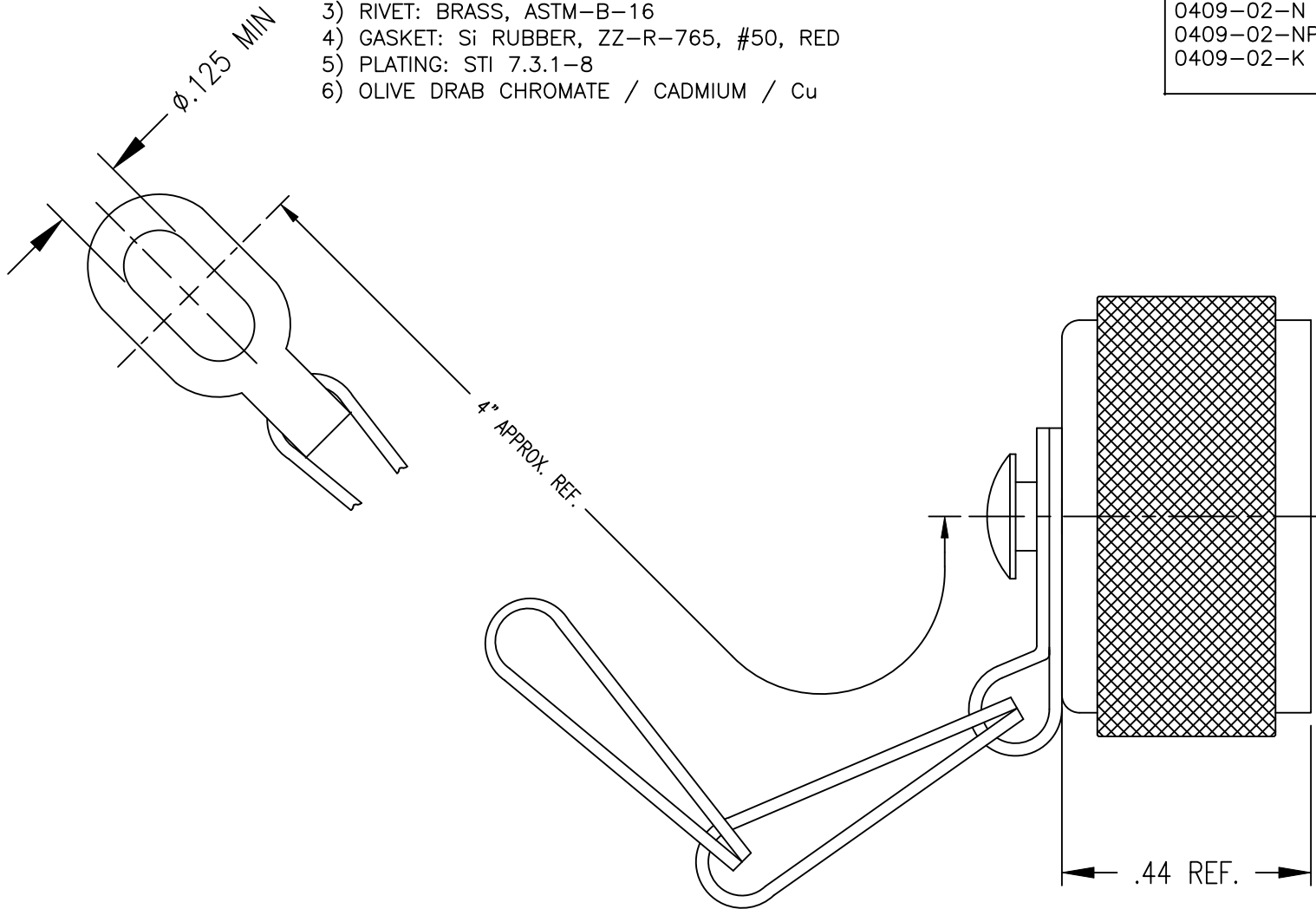


NOTES I TYPE N CAP & CHAIN FOR MIL/AEROSPACE

- 1) BODY: BRASS, ASTM-B-16
- 2) CHAIN: SS302, ASTM-A-582
- 3) RIVET: BRASS, ASTM-B-16
- 4) GASKET: Si RUBBER, ZZ-R-765, #50, RED
- 5) PLATING: STI 7.3.1-8
- 6) OLIVE DRAB CHROMATE / CADMIUM / Cu

PART NUMBER	BODY	CHAIN	RoHS
0409-02	NOTE 6	NOTE 6	NO
0409-02-N	NICKEL	NOTE 6	NO
0409-02-NP	NICKEL	PASIVATE	YES
0409-02-K	BLACK CHROME	BLACK CHROME	YES



DO NOT SCALE DRAWING

E2	MOVE NOTES	NEW	3/7/24	NBS	NBS
E1	ADD CODE -K	NEW	12/9/19	ST	ST
E	UPDATE NOTES / ADD CODE -NP	MIX	1/11/19	FSH	FSH
D	ADD "N" PLATING		1/14/11	RJG	FSH
C	REMOVED $\phi.164$ EXPANSION THRU END CHAIN LINK		10/10/07	JTH	FSH
B2	WAS: CADMIUM PLATE .0002...		6/22/99	MM	
Rev.	Revisions	Disp.	Date	Dwn.	Appd.
	Ref.: SK-		REMOVE ALL BURRS AND SHARP EDGES .005 MAX.		INTERPRET PER ASME Y14.5M-1994


THIS DRAWING CONTAINS CONFIDENTIAL INFORMATION PROPRIETARY TO SAN-TRON, INC. IT MUST NOT BE REPRODUCED OR DISCLOSED TO OTHERS OR USED IN ANY OTHER WAY, IN WHOLE OR PART EXCEPT AS AUTHORIZED IN WRITING BY SAN-TRON, INC.

UNLESS OTHERWISE SPECIFIED:  
 ALL DIMENSIONS ARE IN INCHES.  
 ALL DIMENSIONS ARE AFTER PLATING.  
 .XXX =  $\pm .005$  ALL MACHINED SURFACES  $32 \sqrt{\text{MAX}}$ .  
 .XX =  $\pm .01$  ANG.  $\pm 1/2^\circ$  FRACTIONAL =  $\pm 1/64$

.004 MAX. TIR    
  L AXIS .001

THIRD ANGLE PROJECTION

DWN	SJS	1/19/93
CHKD	SJS	1/19/93
APPR	RJS	1/28/93



**SAN-TRON, INC.**  
 4 NEWBURYPORT TPK. IPSWICH MA USA 01938  
 TEL: 978-356-1585 FAX: 978-356-1573  
 WWW.santron.com E MAIL: santron@santron.com

TITLE: N CAP & CHAIN

MATERIAL: \_\_\_\_\_ FINISH: SEE TABLE

CAGE CODE: 50896	DWG NO. OL-0409-02-1	REV. E
SCALE X:X		