

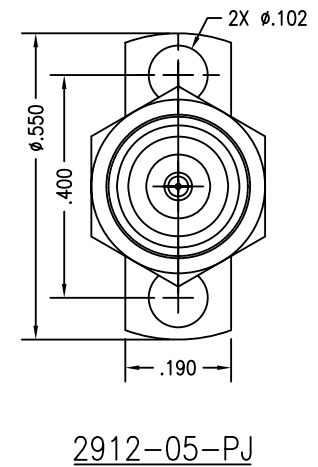
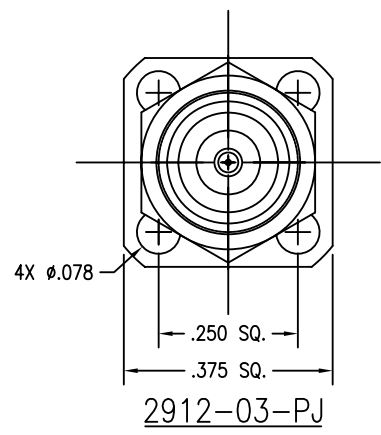
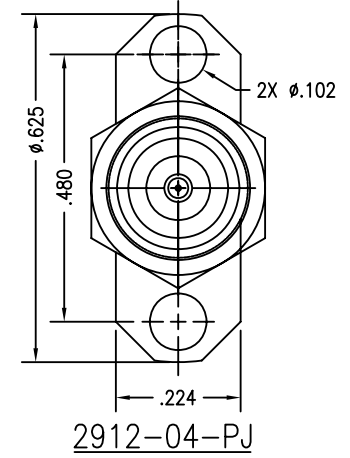
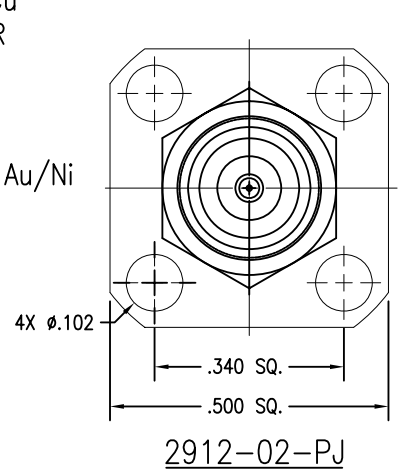
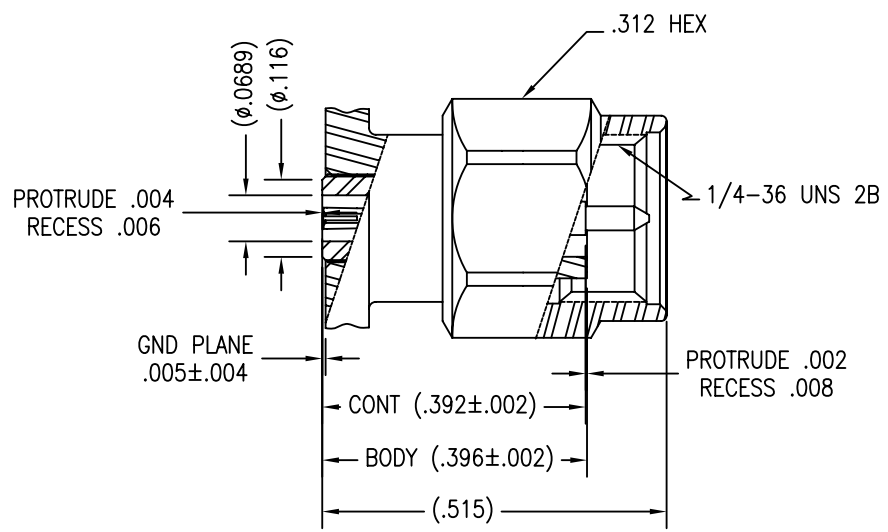
- 1.0 PERFORMANCE: (sea level)
 1.1 FREQUENCY RANGE DC-40 GHz
 1.2 VSWR: VSWR<1.10 (DC-12 GHz)
 < 1.33 (40 GHz)
 (2-CONNECTORS PLUS GLASS BEAD)
 1.3 SYSTEM IMPEDANCE 50 OHMS
 1.4 DWV: 300 Vrms @ 60 Hz
 1.5 TEMP RANGE: -65 / +85°C
 SHORT TERM TO +150°C

- 2.0 MATERIALS
 2.1 SOCKET CONTACT: BeCu
 2.2 BODY: SS-303
 2.3 INSULATOR: DELRIN
 2.4 COUPLING NUT: SS-303
 2.5 LOCKING RING: BeCu
 2.6 GASKET: SI RUBBER

- 4.0 MECHANICAL
 4.1 INTERFACE REF MIL-STD-348
 4.2 CONTACT RETENTION 6 LBS AXIAL
 4.3 CONTACT TORQUE RETENTION: N/A
 4.4 DURABILITY: 500 CYCLES

- 3.0 FINISHES:
 3.1 SS303: PASSIVATE
 3.2 CONTACT: .000050 Au/Ni

DO NOT SCALE DRAWING



Rev.	Revisions	Disp.	Date	Dwn.	Appd.
B	UPDATE RF PERFORMANCE	SCRP	12/17/09	PENDING	
A	OUTLINE RELEASE	NEW	6/5/09		
Ref.:	REMOVE ALL BURRS AND SHARP EDGES .005 MAX.	INTERPRET PER	ASME Y14.5M-1994		
SK-					

THIS DRAWING CONTAINS CONFIDENTIAL INFORMATION PROPRIETARY TO SAN-TRON, INC. IT MUST NOT BE REPRODUCED OR DISCLOSED TO OTHERS OR USED IN ANY OTHER WAY, IN WHOLE OR PART EXCEPT AS AUTHORIZED IN WRITING BY SAN-TRON, INC.

UNLESS OTHERWISE SPECIFIED:
 ALL DIMENSIONS ARE IN INCHES.
 ALL DIMENSIONS ARE AFTER PLATING.
 .XXX = ±.005 ALL MACHINED SURFACES $\sqrt{64}$ MAX.
 .XX = ±.01 ANG. ±1/2° FRACTIONAL = ±1/64
 ◎.004 MAX. TIR. ⊥ AXIS .001

THIRD ANGLE PROJECTION

DWN	JTH	5/15/09
CHKD		
APPR	FSH	6/5/09

SAN-TRON, INC.
 4 NEWBURYPORT TPK. IPSWICH MA USA 01938
 TEL: 978 - 356 -1585 FAX: 978 - 356 -1573
 WWW.SANTRON.COM E MAIL: santron@santron.com

TITLE 2,92 PANEL RECEPTACLE MALE SERIES
 GROUND PLANE, FIELD REPLACEABLE .012 PIN

MATERIAL: SEE NOTES FINISH: SEE TABLE

CAGE CODE: 50896 DWG NO. OL-2912 FR.012 REV. B
 SCALE X:X